



# Industrial 120VDC 10 to 60KVA Inverter

## Professional Series (ProUPS) DC to AC Inverter

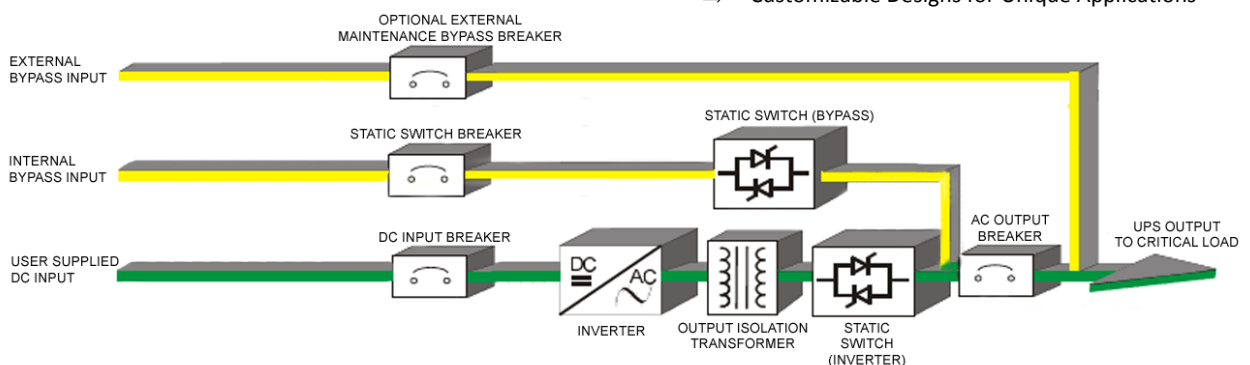
- True On-line Technology for Maximum Power Protection
- Available in 10kva, 15kva, 20kva, 30kva, 40kva, 50kva, and 60kva Power Ratings
- Single or Three Phase Outputs
- 50Hz or 60Hz Models
- 105 – 150VDC Input Acceptance Range
- 20-Year Design Life
- Solid State Static Transfer Switch Standard
- Copper Wound Transformers
- LCD Monitoring Panel
- LED Power Flow Diagram
- Ethernet RJ45 Communications Port
- Form "C" Alarm Interface Contacts
- Light Gray Powder Coat Finish
- Built to Meet UL1778, NEMA, NEC, ANSI and FCC requirements



10-15KVA Model

### OPTIONS

- ⇒ Multiple Voltage Inputs/Outputs Available
- ⇒ 50Hz/60Hz Models
- ⇒ External Maintenance Bypass Switch
- ⇒ Air Filtration and Conformal Coating
- ⇒ Emergency Power Off / Shunt Trip
- ⇒ Customizable Designs for Unique Applications





# Industrial 120VDC 10 to 60KVA Inverter

Technical Specifications														
Model	10kva		15kva		20kva		30kva		40kva		50kva		60kva	
Full Load DC Input	91A		137A		183A		274A		366A		457A		549A	
Max DC Input	114A		171A		229A		343A		457A		571A		686A	
AC Output Three-Phase														
Output Voltage VAC	120/208	277/480	120/208	277/480	120/208	277/480	120/208	277/480	120/208	277/480	120/208	277/480	120/208	277/480
Frequency (Hz)	60Hz		60Hz		60Hz		60Hz		60Hz		60Hz		60Hz	
Full Load (Amps)	27.7	12.0	41.7	18.1	55.6	24.1	83.3	36.1	111.1	48.2	139	60.2	166.8	72.3
AC Output Single-Phase														
Output Voltage VAC	120	240	120	240	120	240	120	240	120	240	120	240	120	240
Frequency (Hz)	60Hz		60Hz		60Hz		60Hz		60Hz		60Hz		60Hz	
Full Load (Amps)	83.4	41.7	126	63	166	83	250	125	334	167	416	208	500	250
Mechanical														
Size W x D x H (in)	31.5x30x65		31.5x30x65		31.5x30x65		49.25x30x65		63x30x65		81x30x65		81x30x65	
Weight (lbs)	1,200		1,300		1,480		1,910		2,570		2,870		3,210	

## Output

Regulation:  $\pm 2\%$  from 0 to 100% load over entire DC  
Input range of 105VDC to 150VDC  
Output THD: <3% linear, <5% nonlinear load  
Overload: 120% for 15 min, 150% for 1 min  
Crest Factor: 3:1  
Slew Rate: 1Hz per second (adjustable)  
Frequency:  $\pm 0.01\%$  free running

## General Information

Cable Entry: Top or Bottom  
Ventilation: Forced Air N+1  
Paint: Light Gray Powder Coat  
Cabinet: Seismic Zone 4 Rated

## Environmental

Ambient Temperature: 0°C to 40°C  
Relative Humidity: Up to 95% non-condensing  
Acoustical Noise: <65dB (A) scale @ 1 meter  
Altitude: 5,000 Ft without de-rating  
Storage Temperature: -20°C to 70°C

*Note:*

- Specifications shown reflect standard 60Hz Inverter models. Models of 50Hz, 400Hz, or other input/output/battery voltage configurations are available by contacting the factory.
- All data is subject to change without notice.