



Industrial 120VDC 10 to 60KVA Inverter

Professional Series (ProUPS) DC to AC Inverter

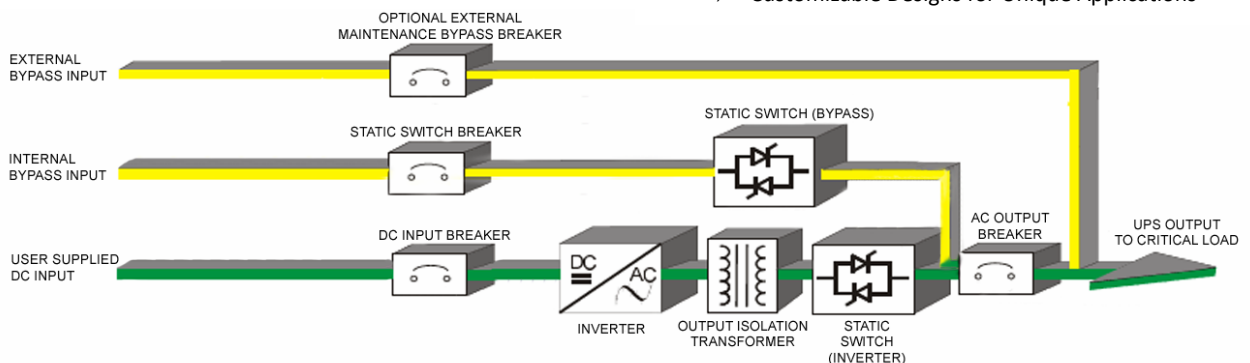
- True On-line Technology for Maximum Power Protection
- Available in 10kva, 15kva, 20kva, 30kva, 40kva, 50kva, and 60kva Power Ratings
- Single or Three Phase Outputs
- 50Hz or 60Hz Models
- 105 – 150VDC Input Acceptance Range
- 20-Year Design Life
- Solid State Static Transfer Switch Standard
- Copper Wound Transformers
- LCD Monitoring Panel
- LED Power Flow Diagram
- Ethernet RJ45 Communications Port
- Form "C" Alarm Interface Contacts
- Light Gray Powder Coat Finish
- Built to Meet UL1778, NEMA, NEC, ANSI and FCC requirements



10-15KVA Model

OPTIONS

- ⇒ Multiple Voltage Inputs/Outputs Available
- ⇒ 50Hz/60Hz Models
- ⇒ External Maintenance Bypass Switch
- ⇒ Air Filtration and Conformal Coating
- ⇒ Emergency Power Off / Shunt Trip
- ⇒ Customizable Designs for Unique Applications





Industrial 120VDC 10 to 60KVA Inverter

Technical Specifications														
Model	10kva		15kva		20kva		30kva		40kva		50kva		60kva	
Full Load DC Input	91A		137A		183A		274A		366A		457A		549A	
Max DC Input	114A		171A		229A		343A		457A		571A		686A	
AC Output Three-Phase														
Output Voltage VAC	120/208	277/480	120/208	277/480	120/208	277/480	120/208	277/480	120/208	277/480	120/208	277/480	120/208	277/480
Frequency (Hz)	60Hz		60Hz		60Hz		60Hz		60Hz		60Hz		60Hz	
Full Load (Amps)	27.7	12.0	41.7	18.1	55.6	24.1	83.3	36.1	111.1	48.2	139	60.2	166.8	72.3
AC Output Single-Phase														
Output Voltage VAC	120	240	120	240	120	240	120	240	120	240	120	240	120	240
Frequency (Hz)	60Hz		60Hz		60Hz		60Hz		60Hz		60Hz		60Hz	
Full Load (Amps)	83.4	41.7	126	63	166	83	250	125	334	167	416	208	500	250
Mechanical														
Size W x D x H (in)	31.5x34x65		31.5x34x65		31.5x34x65		49.25x34x65		63x34x65		81x34x65		81x34x65	
Weight (lbs)	1,200		1,300		1,480		1,910		2,570		2,870		3,210	

Output

Regulation: $\pm 2\%$ from 0 to 100% load over entire DC Input range of 105VDC to 150VDC
 Output THD: <3% linear, <5% nonlinear load
 Overload: 120% for 15 min, 150% for 1 min
 Crest Factor: 3:1
 Slew Rate: 1Hz per second (adjustable)
 Frequency: $\pm 0.01\%$ free running

General Information

Cable Entry: Top or Bottom
 Ventilation: Forced Air N+1
 Paint: Light Gray Powder Coat
 Cabinet: Seismic Zone 4 Rated

Environmental

Ambient Temperature: 0°C to 40°C
 Relative Humidity: Up to 95% non-condensing
 Acoustical Noise: <65dB (A) scale @ 1 meter
 Altitude: 5,000 Ft without de-rating
 Storage Temperature: -20°C to 70°C

Note:

- Specifications shown reflect standard 60Hz Inverter models. Models of 50Hz, 400Hz, or other input/output/battery voltage configurations are available by contacting the factory.
- All data is subject to change without notice.