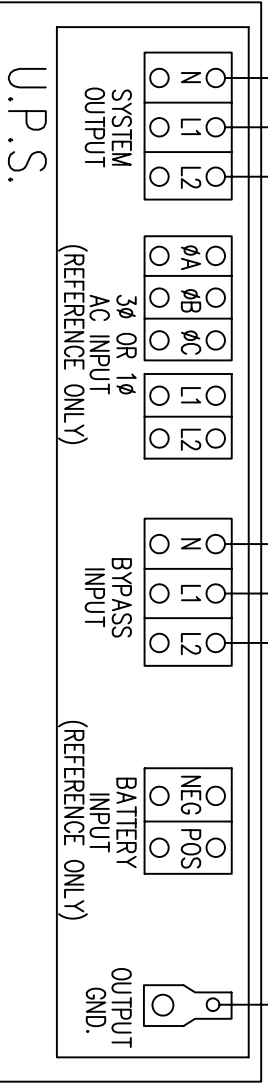
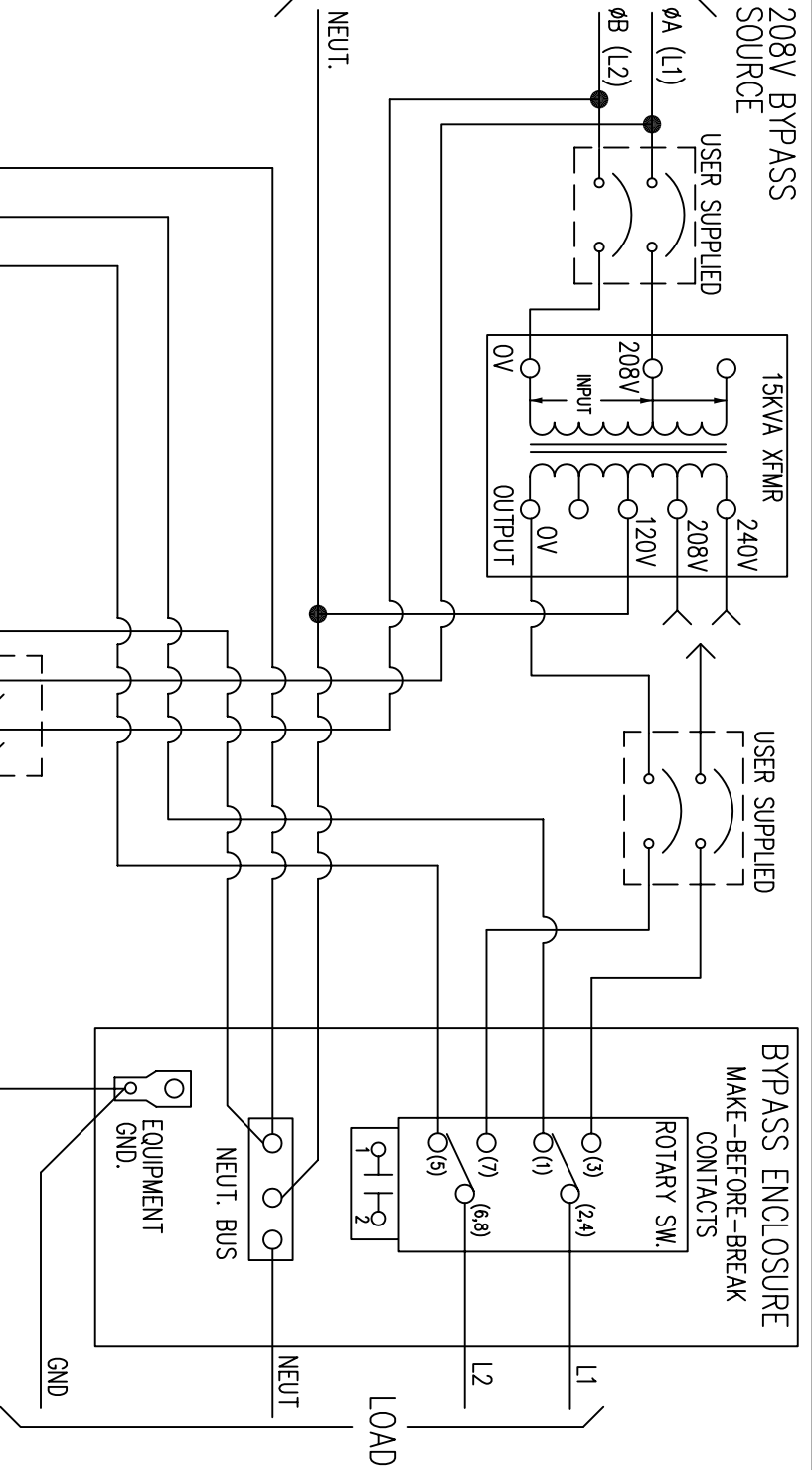
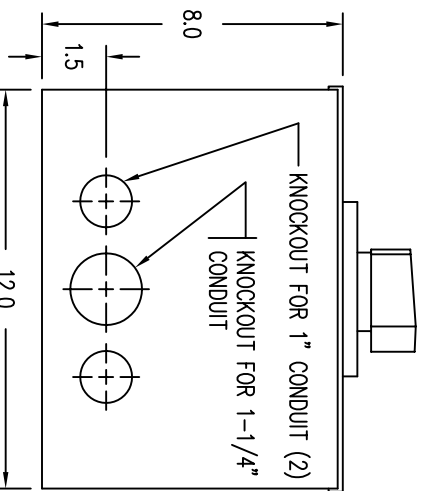
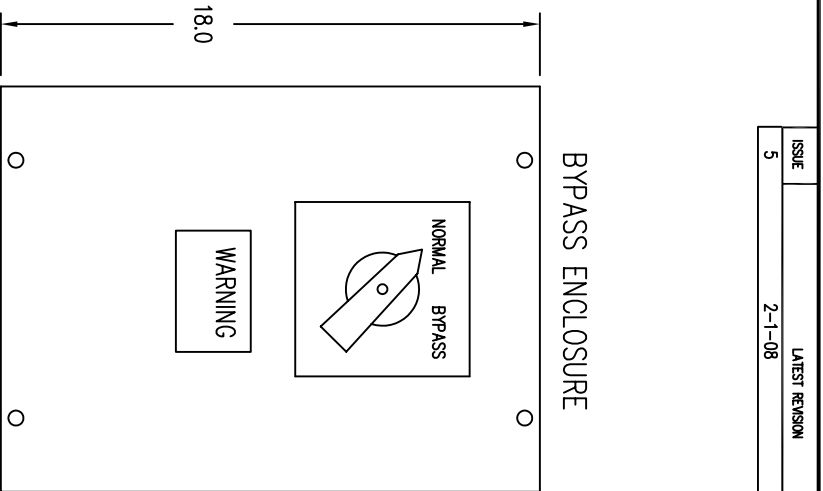


208V BYPASS SOURCE



NOTES:

1. OBSERVE ALL PHASING WHEN CONNECTING EXTERNAL SWITCH CONTACTS.
2. EXTERNAL ROTARY SWITCH ENCLOSURE: NEMA TYPE 3R, 18" L x 12" W x 8" D.
3. WARNING: DO NOT OPERATE THE ROTARY SWITCH TO BYPASS POSITION WITH THE "UPS" DE-ENERGIZED.
4. NORMAL- UPS SUPPLYING THE LOAD.
5. BYPASS- COMMERCIAL POWER SUPPLYING THE LOAD.



3 PHASE SERIES UPS (10 & 15KVA) EXTERNAL MAINTENANCE BYPASS SWITCH (208V BYPASS/208V OUTPUT) (208V BYPASS/240V OUTPUT)		DESIGN DATE DRAWN DATE CHECKED DATE APP'D DATE		104232-066 SHEET 1 OF 1 ISSUE 5	
---	--	---	--	---------------------------------------	--

ISSUE	5	LATEST REVISION	2-1-08
-------	---	-----------------	--------