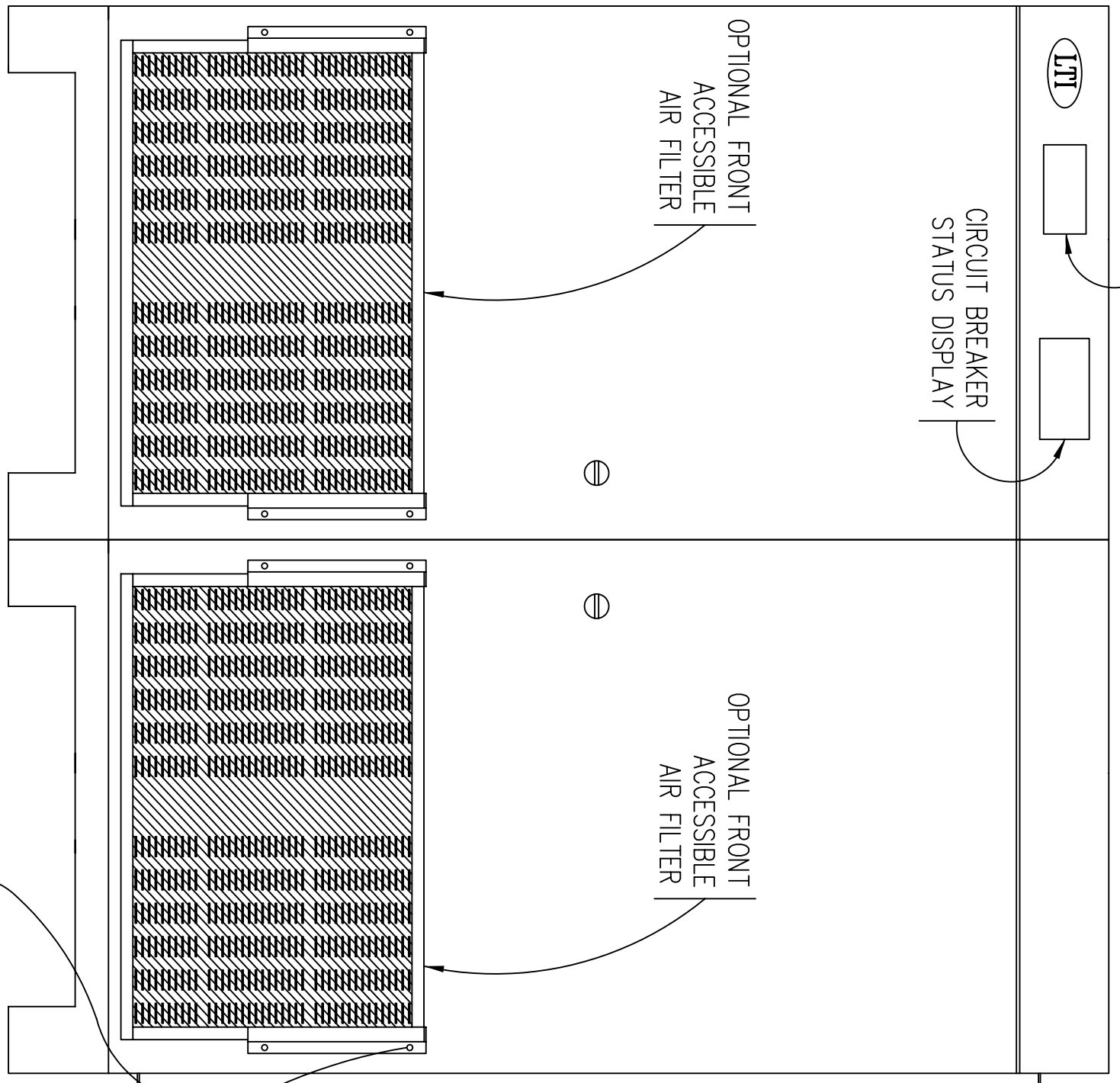
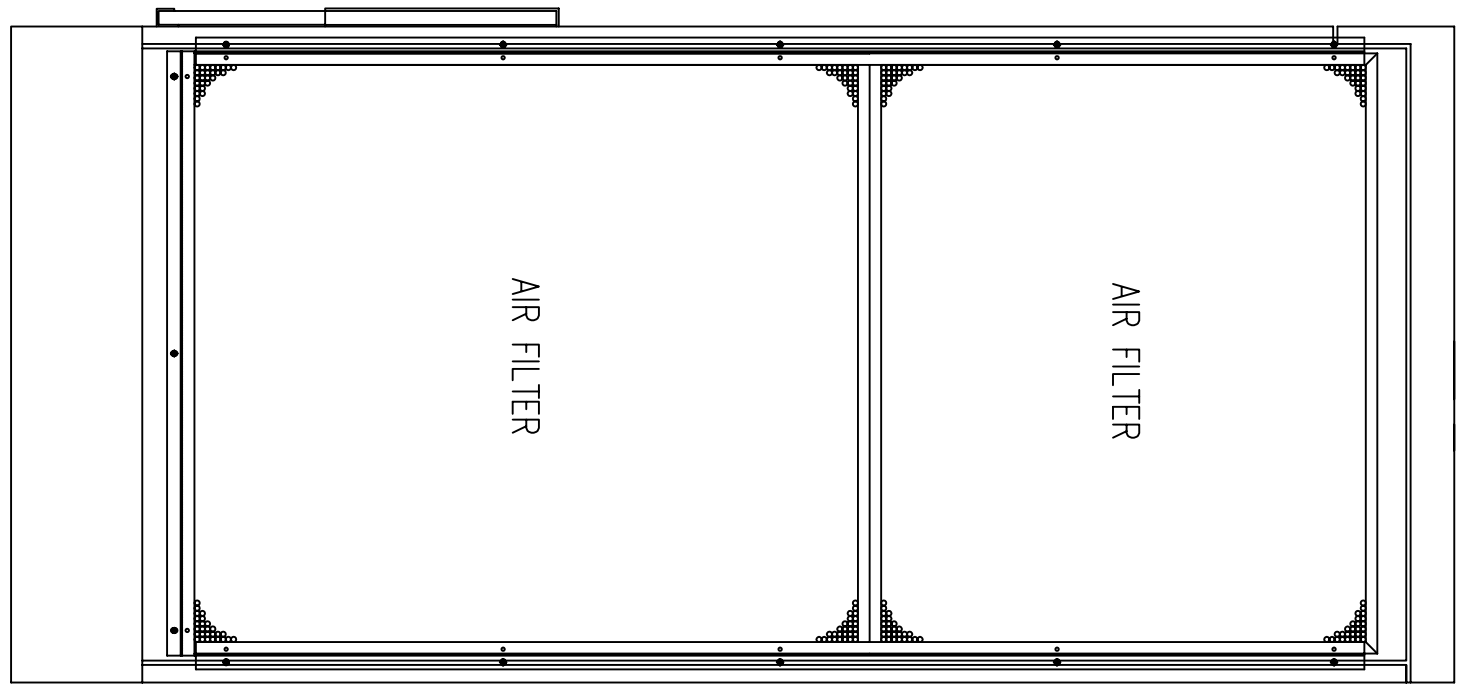


LEFT



FRONT



RIGHT

Notes: Unless otherwise specified, dimensions are in inches. Dimensions within brackets [] are in millimeters.
 Recommended clearance for serviceability is 36" [914] in the front and 6" [152] on the remaining sides.

TO REMOVE FRONT FILTER, REMOVE TOP SCREW FROM EACH SIDE BRACKET. ROTATE BRACKETS AWAY FROM FILTER, THEN SLIDE FILTER UP AND REPLACE AS NECESSARY.

LTI Power Systems, Inc.

ProUPS B1600 ENCLOSURE
 50KVA

50KVA WEIGHT: 2400 LBS. (1080 kg)

LTI-ProUPS

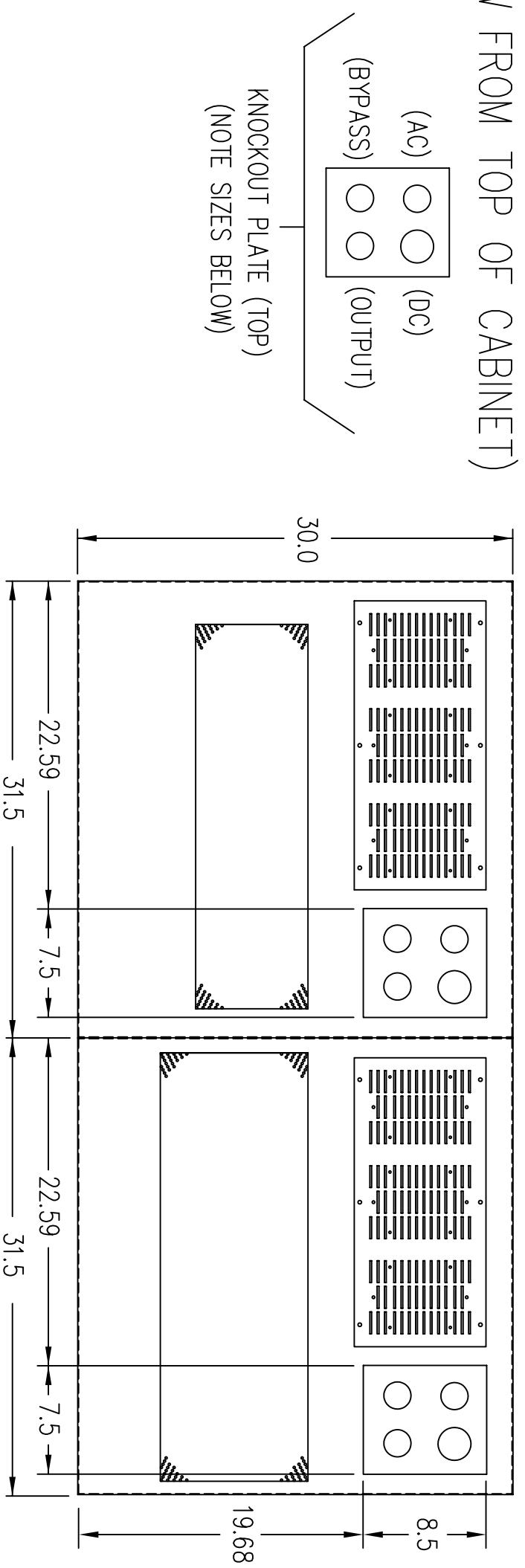
REV.
 2

TEL. (440) 327-5050

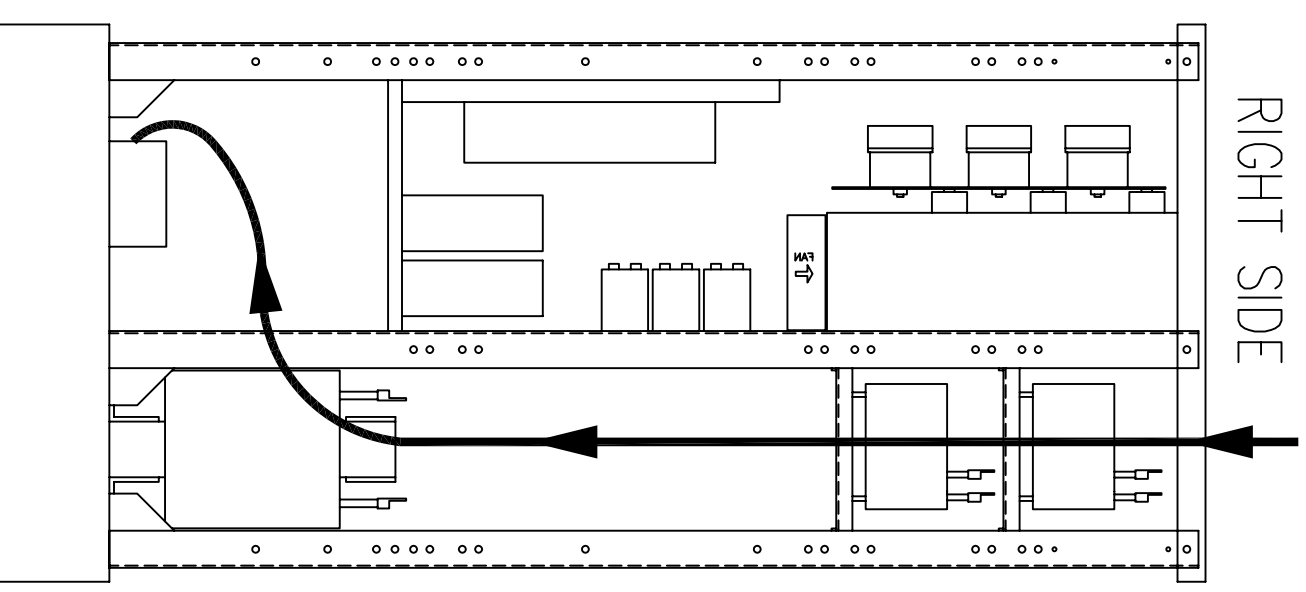
10800 Middle Ave. Elyria, Ohio 44035

CAD DWG NAME: B1600CAB_504824F

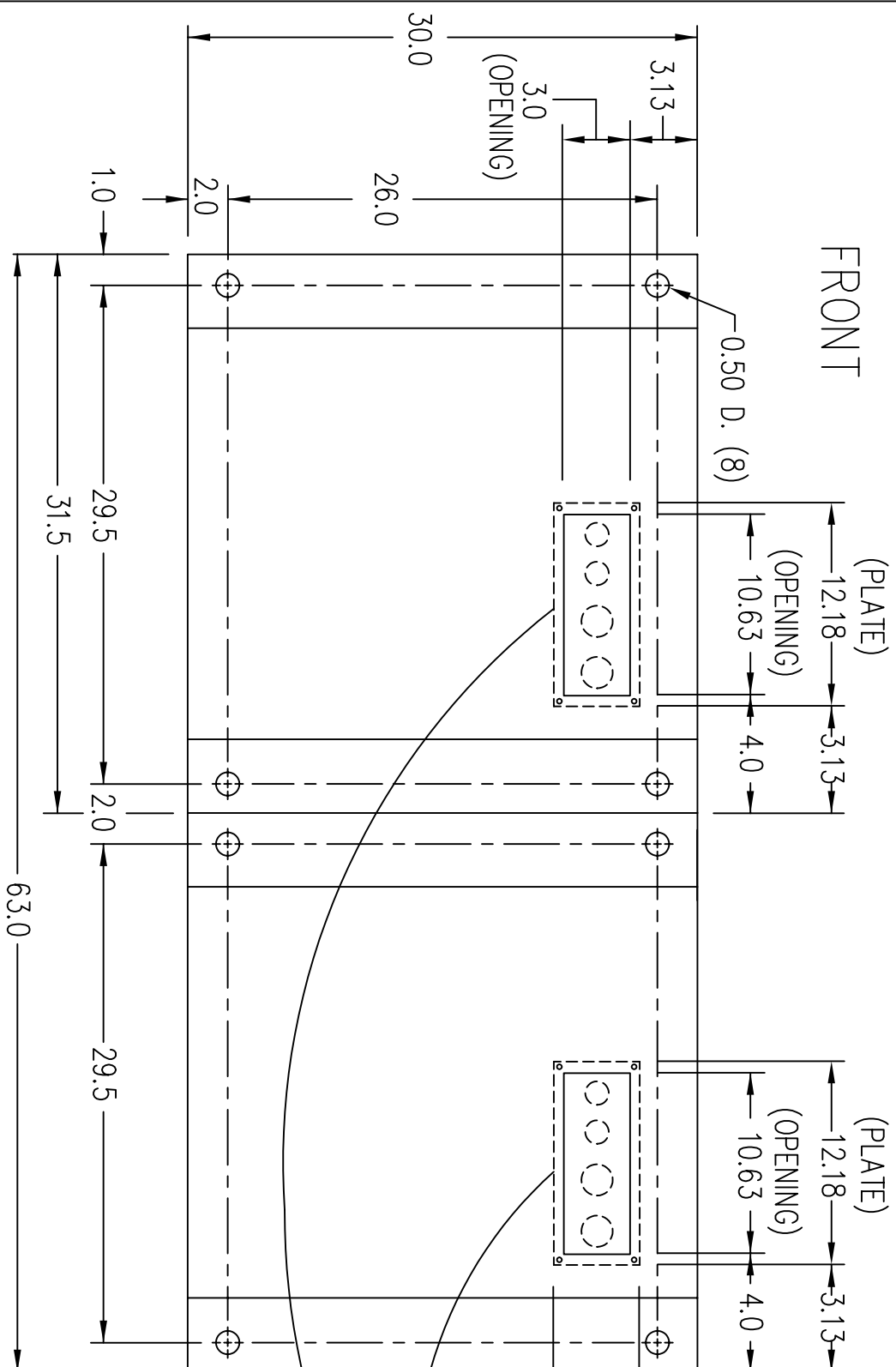
(VIEW FROM TOP OF CABINET)



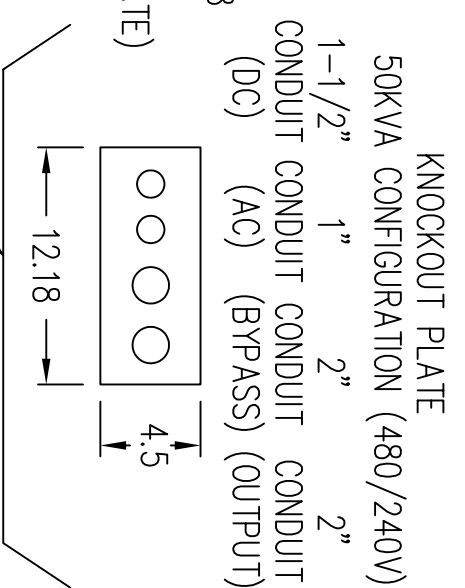
RIGHT SIDE



FRONT

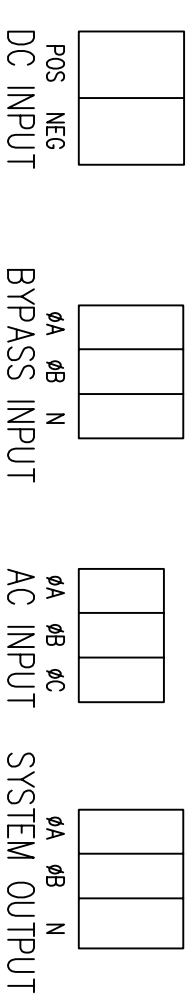


FRONT



FOR TOP CABLE ENTRY, ROUTE WIRES DOWN RIGHT SIDE THROUGH OPEN AREA OF UPRIGHT CENTER PANEL TO TERMINALS LOCATED ON BASE PANEL.

TERMINATION CONFIGURATION (BOTTOM, FRONT)
 TERMINAL BLOCK CAPACITY (AC INPUT): 2/0 TO 14 GA.
 TERMINAL BLOCK CAPACITY (DC INPUT): 350 MCM TO 6 GA.
 TERMINAL BLOCK CAPACITY (BYPASS INPUT/AC OUTPUT): 500 MCM TO 4 GA.



NOTE: ALL DIMENSIONS ARE IN INCHES UNLESS OTHERWISE SPECIFIED.

(VIEW FROM BOTTOM OF CABINET)

LTI Power Systems, Inc.

TEL. (440) 327-5050

10800 Middle Ave. Bldg. B Elyria, Ohio 44035

SHEET 1 OF 1

50KVA ASSEMBLY

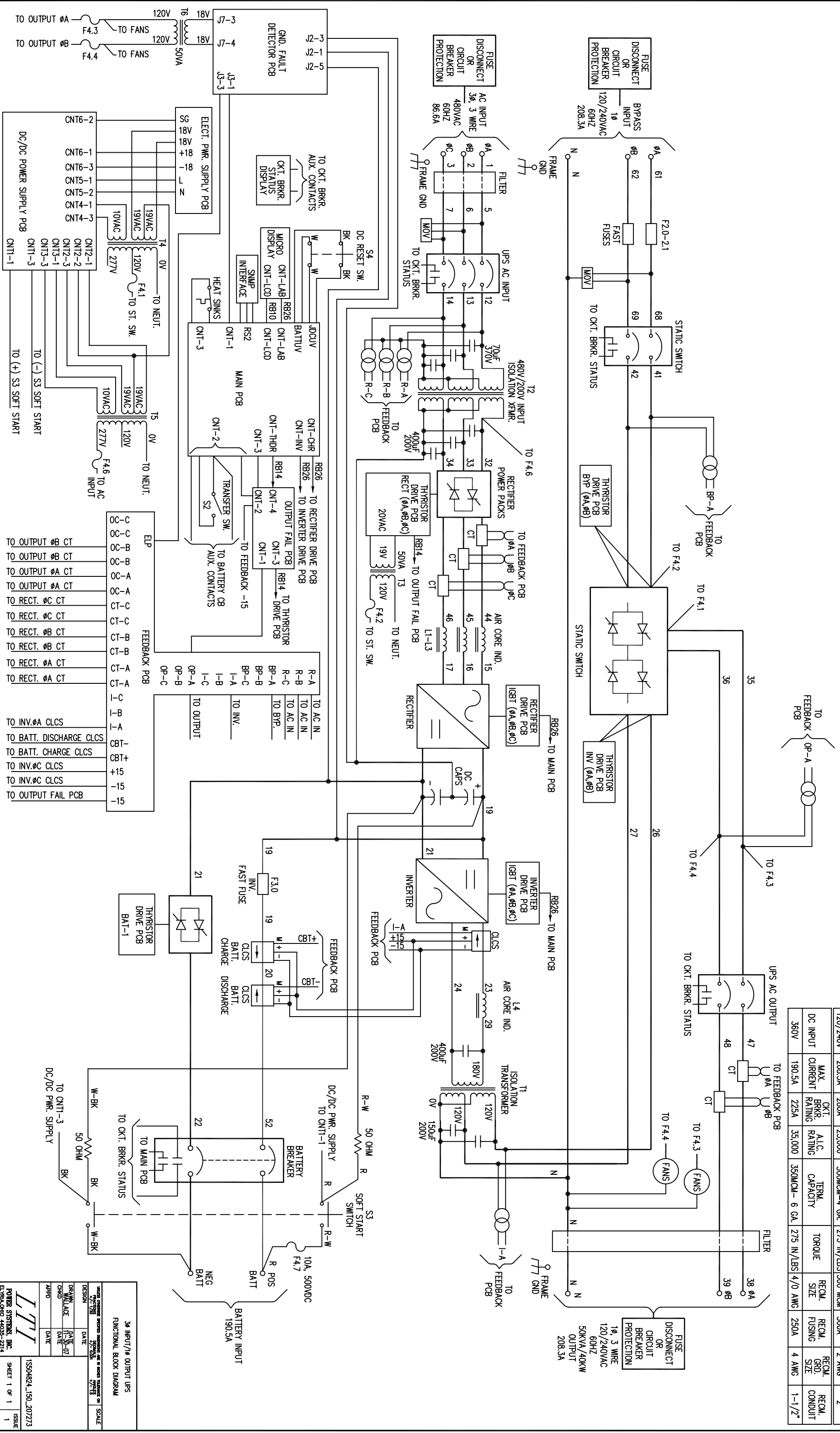
LTI-PROUPS

CAD DWG NAME: 504824BASE_150_207273

REV.

1

- NOTES:
1. WIRE SIZES BASED ON 90°C COPPER CONDUCTORS OPERATING IN 30°C AMBIENT AND NEC TABLES 250-95 AND 310-16. INCREASE CONDUCTOR SIZE FOR LONG RUNS.
 2. CLOCKWISE PHASE ROTATION MUST BE OBSERVED FOR BYPASS AND AC INPUTS.
 3. CLCS = CLOSED LOOP CURRENT SENSOR



AC INPUT	MAX. INPUT CURRENT	BRKR. RATING	A.I.C. RATING	TERM. CAPACITY	TORQUE	REC.M. SIZE	REC.M. FUSING	REC.M. GRD. SIZE	REC.M. CONDUIT
480V	86.6A	100A	25,000	14-2/0 AWG	50 IN/LBS	2 AWG	125A	8 AWG	1"
BYPASS INPUT/AC OUTPUT	208.3A	280A	25,000	500MCM-4 GA.	275 IN/LBS	300A	300A	2 AWG	2"
DC INPUT	190.5A	225A	35,000	350MCM-6 GA.	275 IN/LBS	4/0 AWG	250A	4 AWG	1-1/2"

3ø INPUT/ø OUTPUT UPS
FUNCTIONAL BLOCK DIAGRAM

SCALE: 1/8" = 1"

DESIGN: DATE: 11-30-07

DRAWN: DATE: 11-30-07

CHKD: DATE: 11-30-07

APPD: DATE: 11-30-07

15504824.150.207273

POWER SYSTEMS, INC.

ETW/CND 44035-2274

SHEET 1 OF 1

ISSUE 1