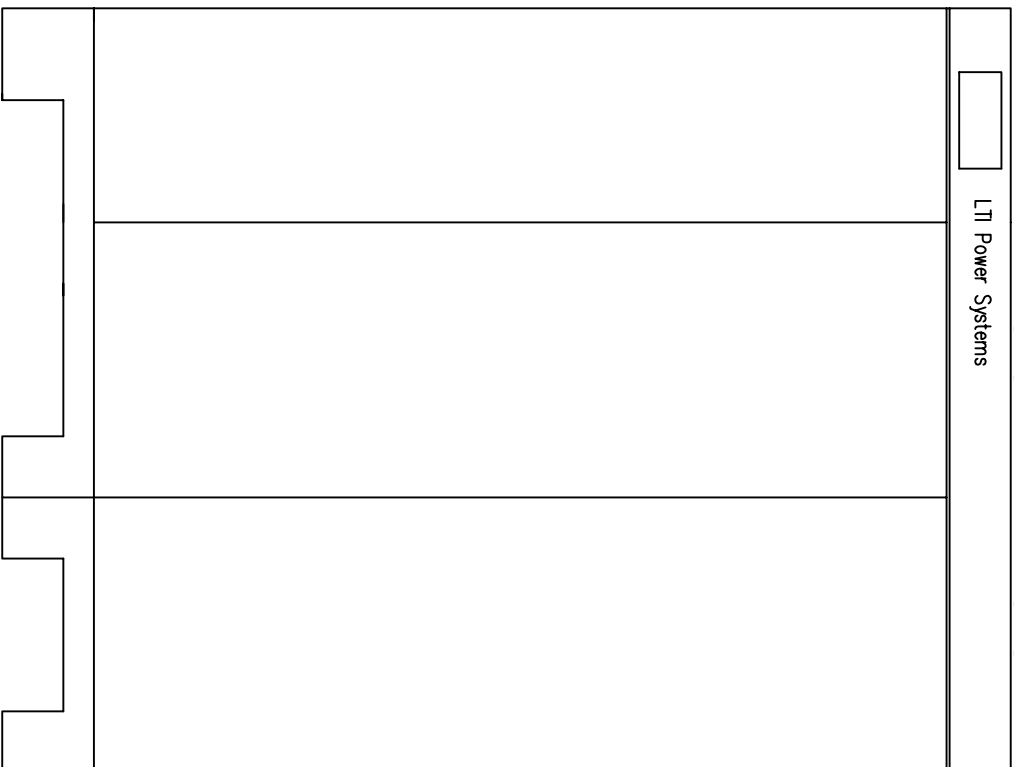
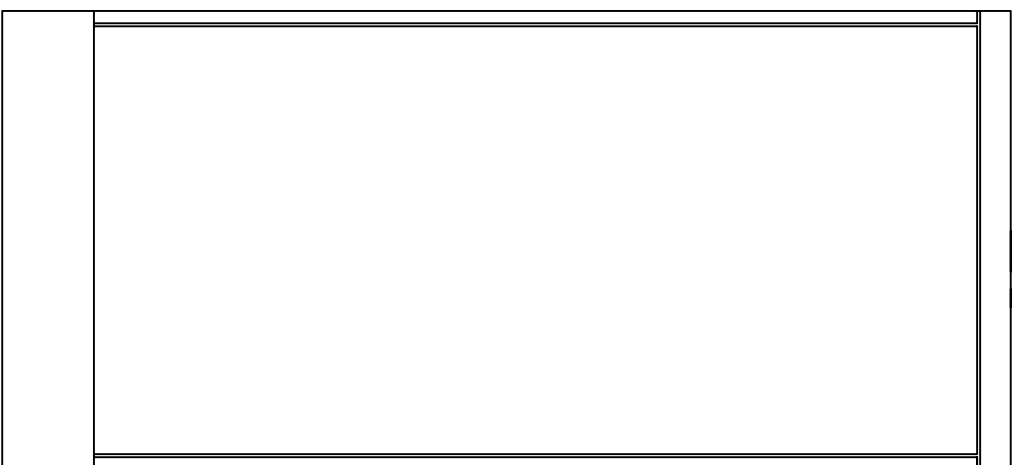


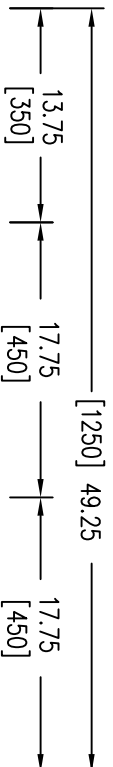
LEFT



FRONT



RIGHT



[1650] 65.0

- NOTES:
1. UNLESS OTHERWISE SPECIFIED, ALL DIMENSIONS ARE IN INCHES. DIMENSIONS WITHIN BRACKETS [] ARE IN MILLIMETERS.
 2. RECOMMENDED CLEARANCE FOR SERVICEABILITY IS 36" [914] ON THE LEFT SIDE, 18" [457.2] ON THE RIGHT SIDE AND 18" [457.2] AT THE BACK OF THE SYSTEM.

LTI Power Systems, Inc.
 TEL. (440) 327-5050 10800 MIDDLE AVE. BLDG. B ELYRIA, OHIO

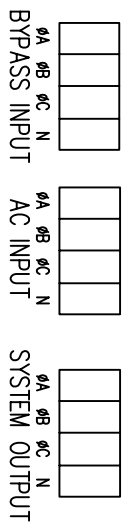
PROUPS B1250 ENCLOSURE
 50KVA
 WEIGHT: 1,800 LBS. (817.2 kg)

SHEET 1 OF 1

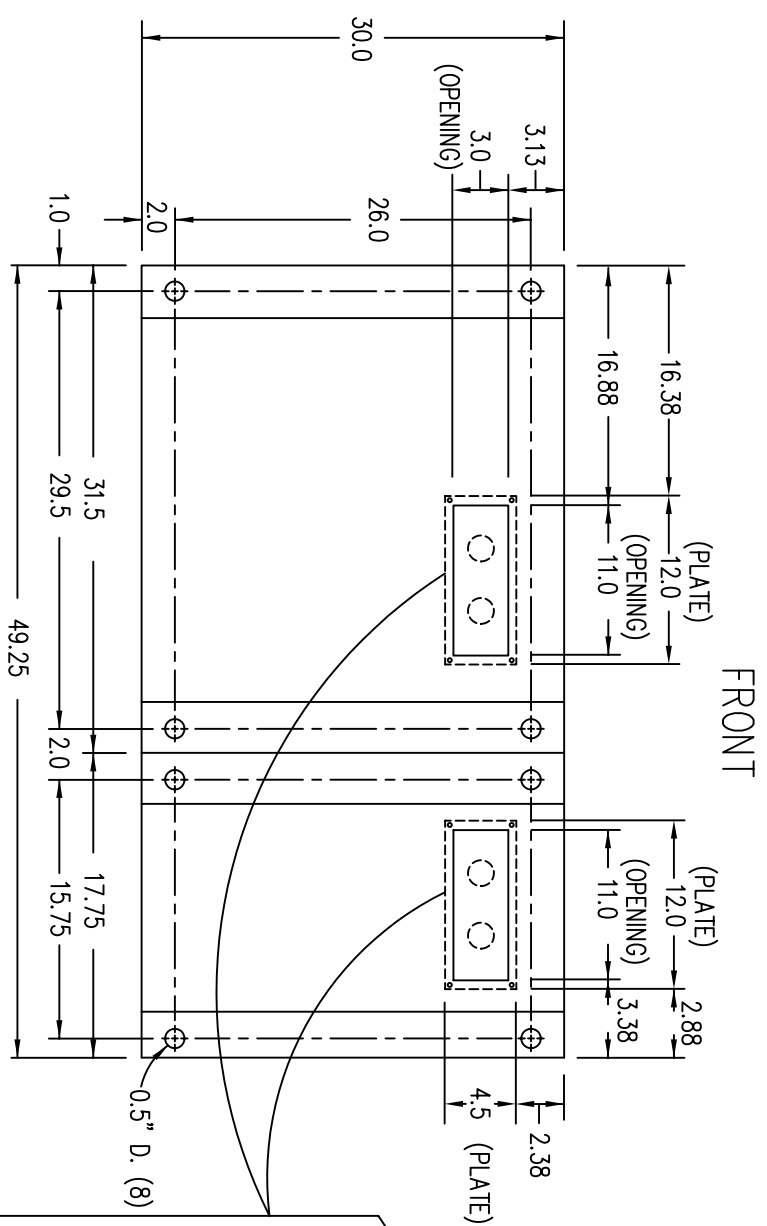
LTI - PROUPS

REV.

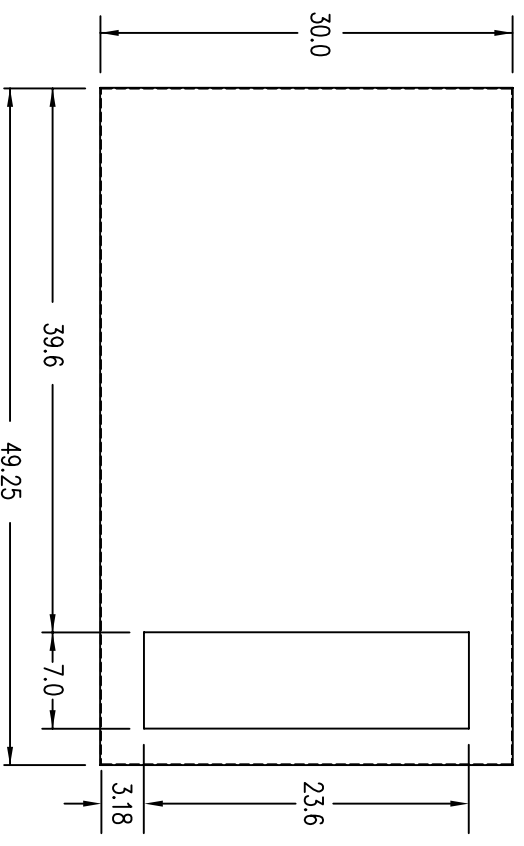
TERMINATION CONFIGURATION (BOTTOM, FRONT)
 TERMINAL BLOCK CAPACITY: (6 TO 350 MCM) 208/208V SYSTEMS
 TERMINAL BLOCK CAPACITY: (6 TO 350 MCM, AC INPUT: 14 TO 2/0 AWG) 480/208V SYSTEMS
 TERMINAL BLOCK CAPACITY: (14 TO 2/0 AWG) 480/480V SYSTEMS



NOTE: ALL DIMENSIONS ARE IN INCHES UNLESS OTHERWISE SPECIFIED.
 WHEN USING TOP CABLE ENTRY, ROUTE WIRES DOWN ALONG RIGHT SIDE OF CABINET
 TO BOTTOM, FRONT TERMINAL BLOCK LOCATION.

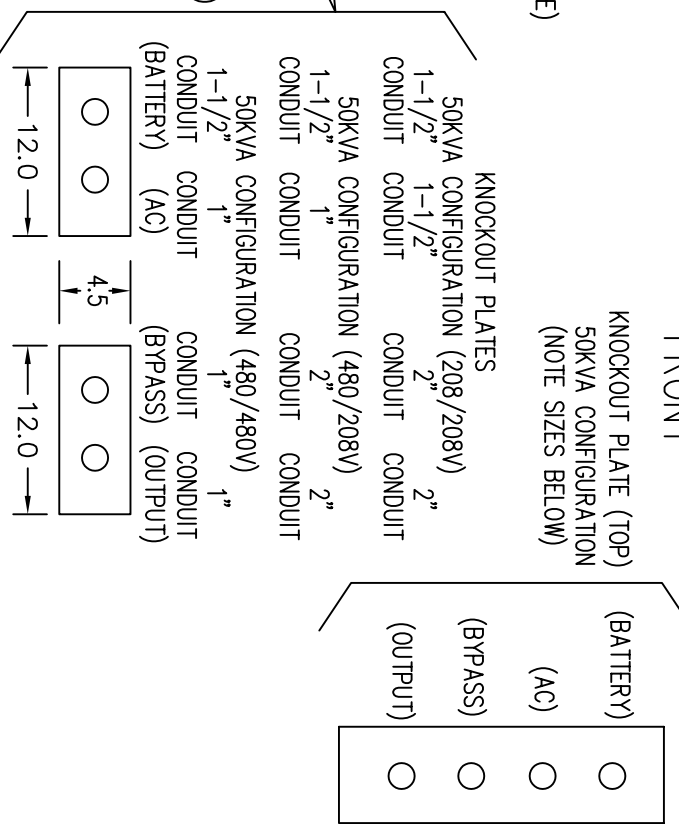


FRONT



(VIEW FROM TOP OF CABINET)
FRONT

(VIEW FROM BOTTOM OF CABINET)



LTI Power Systems, Inc.

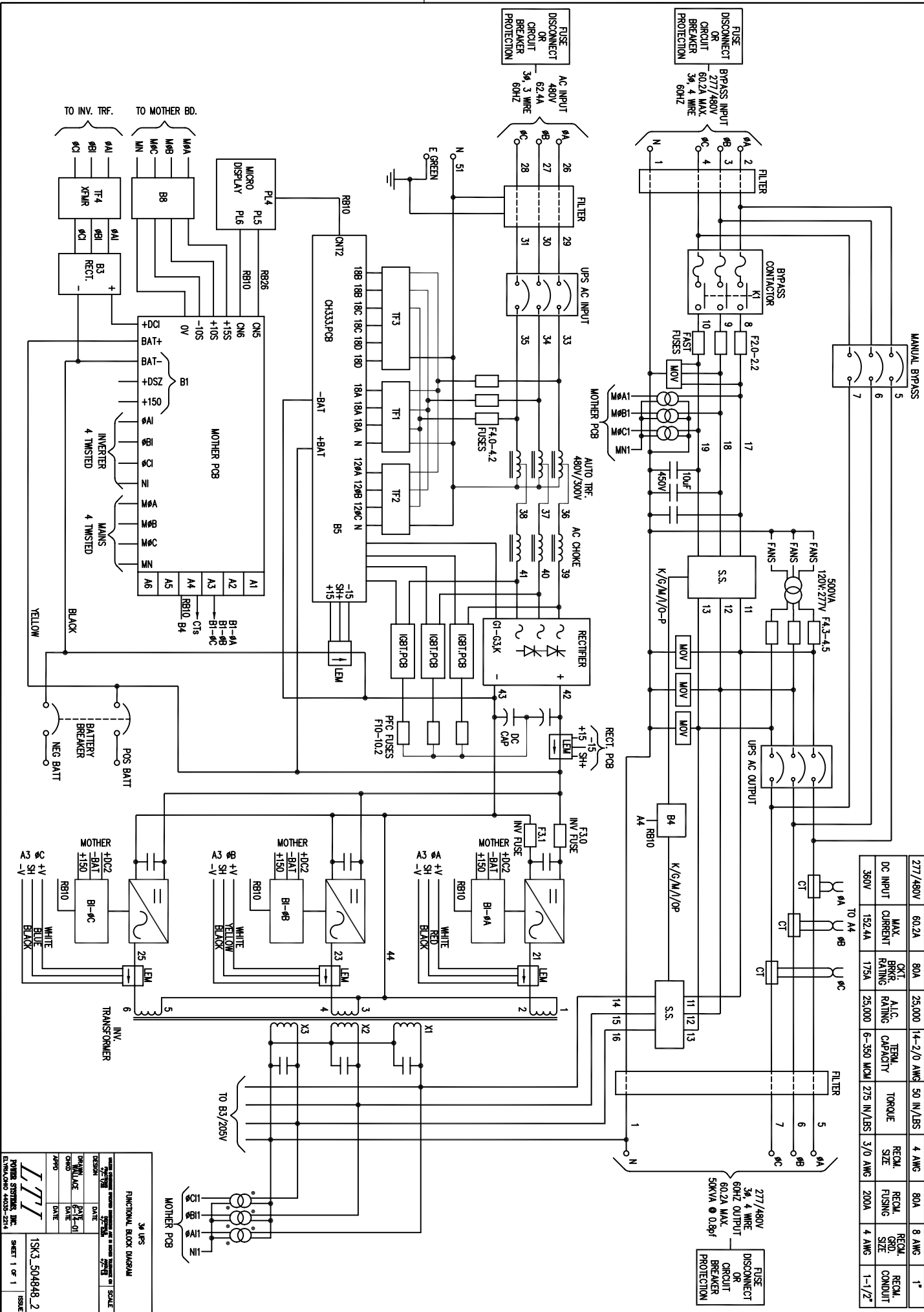
TEL. (440) 327-5050 10800 Middle Ave. Bldg. B Elyria, Ohio 44035

50KVA ASSEMBLY SHEET 1 OF 1

LTI-PROUPS CAD DWG NAME: 50K33_33BASE

REV. 1

- NOTES:
1. WIRE SIZES BASED ON 90°C COPPER CONDUCTORS OPERATING IN 30°C AMBIENT AND NEC TABLES 250-95 AND 310-16. INCREASE CONDUCTOR SIZE FOR LONG RUNS.
 2. CLOCKWISE PHASE ROTATION MUST BE OBSERVED FOR BYPASS AND AC INPUTS.



| AC INPUT | MAX INPUT CURRENT | CT BRKR RATING | A.I.C. RATING | TERM. CAPACITY | TORQUE | RECM. SIZE | RECM. FLSING | RECM. GND. SIZE | RECM. CONDUIT |
|------------------------|-------------------|----------------|---------------|----------------|---|------------|--|-----------------|---------------|
| 480V | 62.4A | 80A | 25,000 | 14-2/0 AWG | 50 IN/LBS | 3 AWG | 100A | 8 AWG | 1" |
| BYPASS INPUT/AC OUTPUT | MAX BRKR RATING | CT RATING | A.I.C. RATING | TERM. CAPACITY | TORQUE <td>RECM. SIZE</td> <td>RECM. FLSING</td> <td>RECM. GND. SIZE</td> <td>RECM. CONDUIT</td> | RECM. SIZE | RECM. FLSING | RECM. GND. SIZE | RECM. CONDUIT |
| 277/480V | 60.2A | 80A | 25,000 | 14-2/0 AWG | 50 IN/LBS | 4 AWG | 80A | 8 AWG | 1" |
| DC INPUT | MAX CURRENT | CT BRKR RATING | A.I.C. RATING | TERM. CAPACITY | TORQUE <td>RECM. SIZE</td> <td>RECM. FLSING <td>RECM. GND. SIZE</td> <td>RECM. CONDUIT</td> </td> | RECM. SIZE | RECM. FLSING <td>RECM. GND. SIZE</td> <td>RECM. CONDUIT</td> | RECM. GND. SIZE | RECM. CONDUIT |
| 360V | 152.4A | 175A | 25,000 | 6-3/0 MCM | 275 IN/LBS | 3/0 AWG | 200A | 4 AWG | 1-1/2" |

3A UPS

FUNCTIONAL BLOCK DIAGRAM

DESIGN: [] DATE: []

DATE: []

SCALE: []

APPD: []

ISSUE: []

15K3_504848_2

SHEET 1 OF 1