

FRONT  
(RACK NOT INCLUDED WITH INVERTER)

SIDE

**PHYSICAL INSTALLATION**

1. MOUNT INVERTER ENCLOSURE TO RELAY RACK USING 12-24 SCREWS, LOCK WASHERS AND FLAT WASHERS.

**GENERAL NOTES:**

- 1 ALL DIMENSIONS ARE IN INCHES UNLESS OTHERWISE SPECIFIED.
- 2 RACK IS NOT INCLUDED WITH INVERTER SYSTEM AND IS SHOWN FOR REFERENCE ONLY.

**MECHANICAL DATA**

INVERTER WEIGHT: 400 LBS...10KVA  
 SIZE: SEE DRAWING  
 PAINT: SHERWIN WILLIAMS PT. No. F63 A 33  
 COLOR: PROFILE GRAY

**THERMAL DATA**

HEAT DISSIPATION @ 100% LOAD  
 @ 0.8 logging PF  
 10KVA (0.8pf) = 8.5K BTU/HR. MAX.  
 COOLING: FAN ASSISTED  
 OPERATING AMBIENT = -10°C TO +30°C

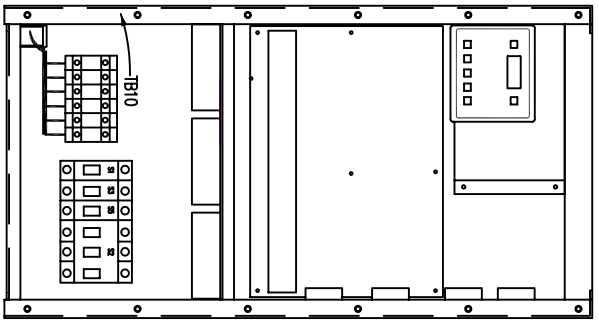
**ENVIRONMENTAL DATA**

NEMA 1= INDOOR DUTY, OPEN VENTILATED, NONCORROSIVE, CONTROLLED ENVIRONMENT PER UL1778, DOES NOT PREVENT ENTRY OF DUST.  
 HUMIDITY RANGE: 0 TO 95%, NON-CONDENSING  
 ALTITUDE DERATING: NONE BELOW 7000 FT. 10%/1000 FT. ABOVE  
 ADUIBLE NOISE: 50dB(A), 5 FT. IN FRONT OF UNIT, 4 FT. FROM FLOOR.

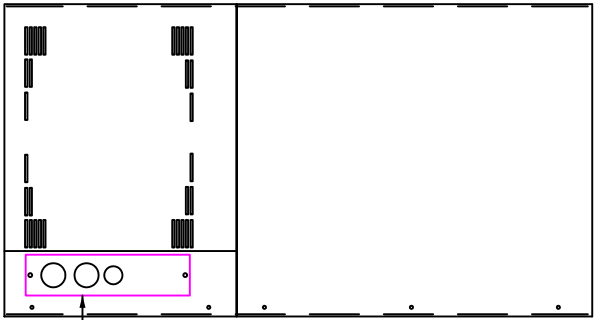
**RACK MOUNT  
INSTALLER CONNECTIONS**

DESIGN	DATE	IC5196-100
DRAWN WALLACE	DATE 11-4-98	
CHKD	DATE	
APP'D R. J. MOROG	DATE 11-4-98	
SHEET 1 OF 3		ISSUE

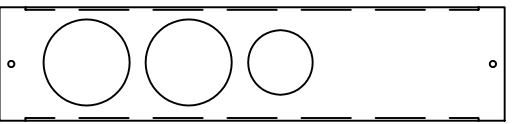
FRONT VIEW  
(COVER REMOVED)



REAR VIEW



NOTE: USER CONNECTIONS ENTER INV. THROUGH KNOCKOUT PLATE ON REAR CABINET PANEL. ROUTE WIRES THRU WIREWAY PROVIDED ON LEFT SIDE OF BASE AND SECURE IN TOP OF TERMINAL BLOCKS AT FRONT OF ENCLOSURE.



KNOCKOUTS  
FOR  
(2) - 1" CONDUIT  
(1) - 1.5" CONDUIT

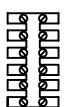
KNOCKOUT PLATE

FRONT DOOR  
DC PRE-CHARGE



LEFT SIDE (INSIDE INV.)

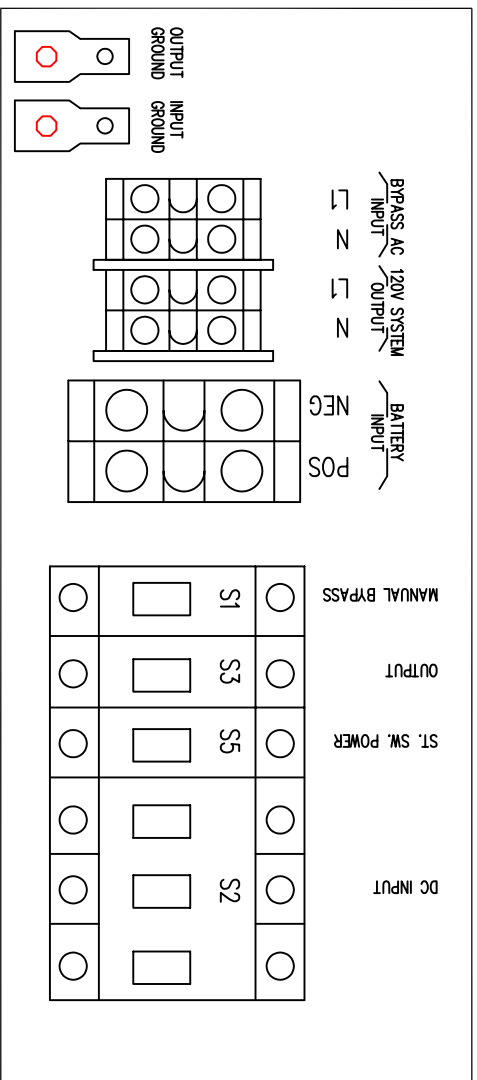
TB10



ALARM CONTACT  
TERMINAL STRIP  
SEE TABLE 1

NOTE 1

LOWER FRONT (INVERTER)



BYPASS AC INPUT VOLTAGE 120V	CONNECT TO L1 & (N NEUTRAL)	SYSTEM OUTPUT 120V	CONNECT TO L1 & N	BATTERY INPUT 48VDC	CONNECT TO POS & NEG
---------------------------------	--------------------------------	-----------------------	----------------------	------------------------	-------------------------

TABLE 1

(TB10) TERM. No.	ALARM
1	COMMON
2	INV. OFF (N.O.)
3	ON BYPASS (N.O.)
4	BYPASS FAIL (N.O.)
5	LOW BATTERY (N.O.)
6	SUMMARY ALARM (N.O.)

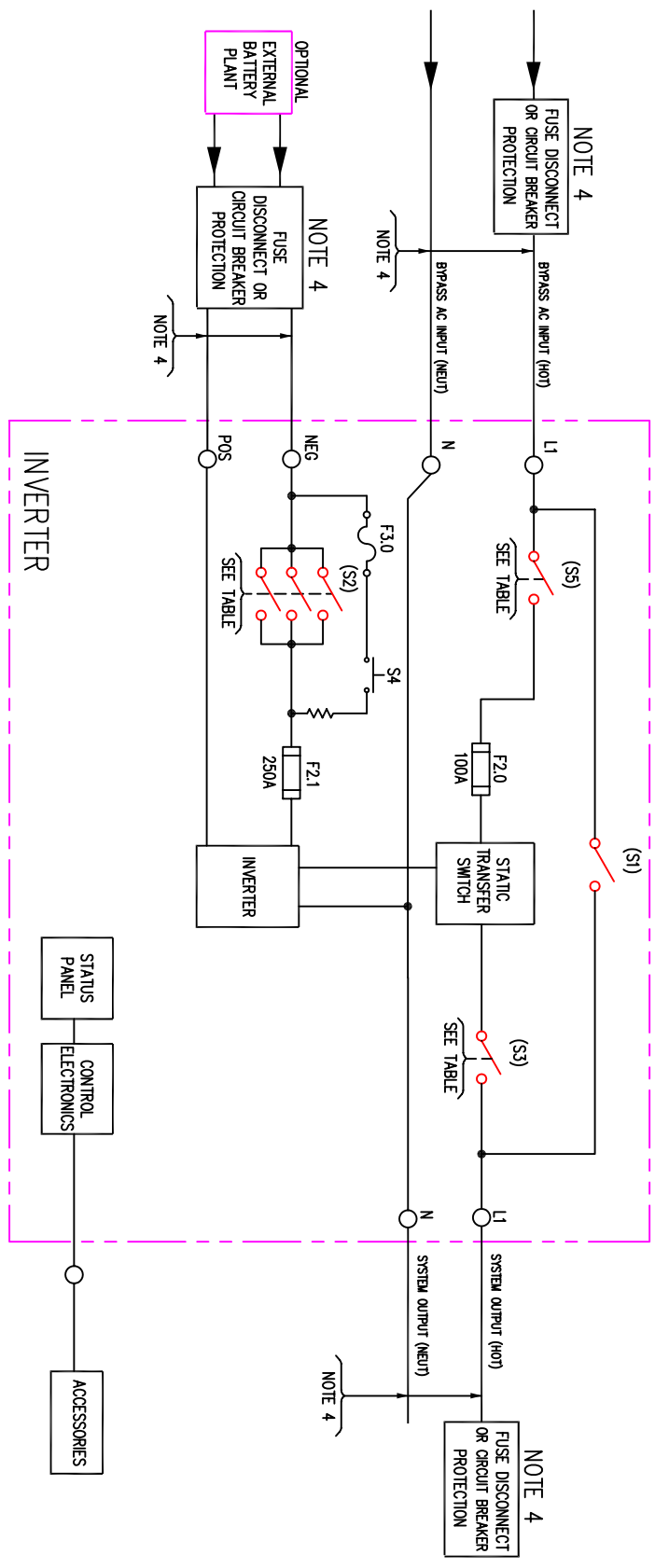
NOTE:  
1. ALARM CONTACT RATING: 1/4A, 120VAC RESISTIVE.  
NOT TO EXCEED CLASS 2 LIMITATIONS.  
REFER TO NEC ARTICLE 725-31, TABLES (a) & (b).

RACK MOUNT  
INSTALLER CONNECTIONS

ICS196-100

SHEET 2 OF 3 ISSUE

# 10KVA INVERTER (48VDC INPUT, 120V OUTPUT)



- NOTES:
- 1 WIRE SIZE RECOMMENDATIONS BASED ON 90°C COPPER CONDUCTORS OPERATING IN 30°C AMBIENT AND NEC TABLES 250-95 & 310-16, INCREASE CONDUCTOR SIZE FOR LONG RUNS.
  - 2 ALL FIELD WIRING TO BE COPPER CONDUCTOR ONLY.
  - 3 ALL GROUNDS SHOWN SHALL BE CONNECTED SEPARATELY TO A SINGLE GROUNDING POINT AT THE SOURCE SERVICE EQUIPMENT, PER IEEE STD. 446-1980 FIG. 72.
  - 4 FUSE OR CIRCUIT BREAKER PROTECTION EXTERNAL TO UPS TO BE PROVIDED BY CUSTOMER. SEE TABLE BELOW FOR RECOMMENDED PROTECTION SIZING AND WIRE SIZING.
  - 5 SPECIFIED TORQUE VALUES ARE FOR INTERNAL WIRING CONNECTIONS ONLY.

SIZE	SPEC. No.	BYPASS AC INPUT				BATTERY LEAD				SYSTEM OUTPUT																	
		AC INPUT	MAX. INPUT CURRENT	(S3) RATING	TERM. CAPACITY	TERM. CAPACITY	TORQUE	RECM. SIZE	RECM. FUSING	RECM. GRD. SIZE	(S2) RATING	NOMINAL VOLTAGE	TERM. CAPACITY	TORQUE	RECM. SIZE	RECM. FUSING	RECM. GRD. SIZE	RECM. FUSING	OUTPUT VOLTAGE	FULL LOAD CURRENT (AMPS)	(S3) RATING	TERM. CAPACITY	TORQUE	RECM. SIZE	RECM. FUSING		
10KVA	5196-100	120V	83.3A 0.8pf	100A	14-2/0 AWG	50 IN/LB	3 GA	100A	8 GA	100A (PARALLEL POLED)	48VDC	6-5000CM	500 IN/LB	4/0 GA.	250A	120V	83.3A	100A	14-2/0 AWG	50 IN/LB	3 GA	8 GA.	100 AMPS				