



# Industrial Inverters 24 / 48 VDC

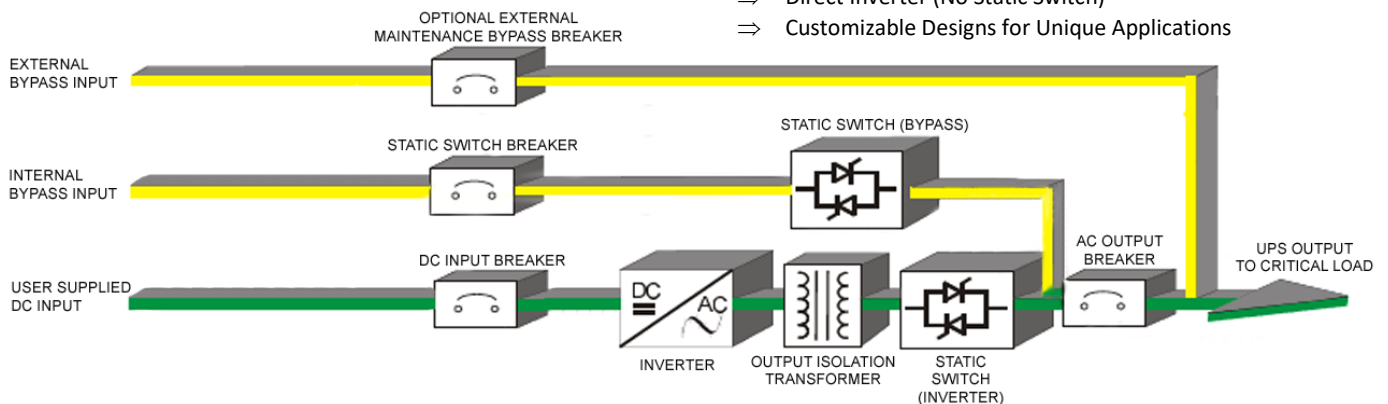
## Series 1000 DC to AC Rack Mount Inverters

- True On-line Technology for Maximum Power Protection
- True "Zero Break" Fully Rated Solid State Static Transfer Switch Standard
- Pure Sine Wave Output
- Transistor Power Block Technology
- 20-Year Design Life
- Copper Wound Transformers
- Easy Access Front Door
- Input to Output Isolation
- Less than 1% output THD
- Low Audible Noise
- Short Circuit Protection
- Mounts in Standard 19" or 23" Rack
- Handles 5:1 Crest Factor Loads
- AC/DC Input Circuit Breakers
- Multi-function Digital Meter
- Alarm Interface Contacts
- ANSI 61 Gray Powder Coat Finish
- Built to Meet UL1778, NEMA, NEC, ANSI and FCC Standards



### OPTIONS

- ⇒ Multiple Voltage Outputs Available
- ⇒ 50Hz/60Hz Models
- ⇒ External Maintenance Bypass Switch
- ⇒ Floor Mount Kit
- ⇒ Wall Mount Kit (Smaller models only)
- ⇒ "Form C" Alarm Interface Contacts
- ⇒ Direct Inverter (No Static Switch)
- ⇒ Customizable Designs for Unique Applications





# Industrial Inverters 24 / 48 VDC

Technical Specifications											
DC INPUT											
Model	1kva	1.5kva	2kva	2.5kva	3kva	5kva		10kva			
Nominal DC Voltage (V)	24	24	24	48	24	48	24	48	48	120	
Max Current (A)	46	69	92	46	115	69	230	115	230	92	
Protection (Breaker Amps)	60	80	100	60	160	80	250	160	250	125	
Noise Feedback	Less than 32dBmC										
AC OUTPUT											
Power Rating	1kva	1.5kva	2kva	2.5kva	3kva	5kva		10kva			
Nominal Output Voltage	120 VAC Standard, 100/127/200/208/220/230/240 Optional										
Frequency	50 / 60Hz										
Frequency Stability	±0.1% Internal Crystal Controlled										
Acceptable Bypass Synchronization	± 2 Hz										
Regulation	±2% over entire input voltage and load range										
Waveform	Pure Sine Wave										
Crest Factor	5:1										
Harmonic Distortion	< 1% with linear load from .8 leading to .8 lagging power factor										
Overload	125% for 10 min, 150% for 1 min										
Protection Circuitry	Circuit Breaker and Fusing										
AC BYPASS INPUT											
Voltage (V)	120 VAC Standard, other voltages available as an option										
Frequency (Hz)	50 / 60Hz (Bypass freq. must match output freq.)										
ENVIRONMENT											
Operating Temperature	32°F to 122°F (0°C to 50°C)										
Ventilation	Forced Air (front to back)										
Heat Dissipation (BTU/Hr)	512	768	1,024	1,280	1,535	2,559		5,118			
Humidity	0 – 95% non-condensing										
Audible Noise	< 50 dB(A) Scale @ 1 meter										
Operational Altitude	5,000 ft. (1,500m)										
DIMENSIONS											
Model	1kva	1.5kva	2kva	2.5kva	3kva	5kva		10kva			
Height (inches)	15.75	15.75	15.75	15.75	15.75	15.75	32.25	40	15.7	40	32.25
Width (inches)	16.8	16.8	16.8	16.8	16.8	16.8	17	17	16.8	17	17
Depth (inches)	15.1	15.1	15.1	15.1	15.1	15.1	18	18	15.1	18	18
Weight (lbs)	130	130	140	140	150	150	380	420	150	420	400
ENCLOSURE											
Color	ANSI 61 Gray										
Rating	NEMA1										
Cable Entry	Rear										

Note: All data is subject to change without notice.

LTI Power Systems • 10800 Middle Ave., Bldg. B • Elyria, OH 44035  
Phone 888 327 5050 • Fax 440 458 8140 • [www.ltipowersystems.com](http://www.ltipowersystems.com)