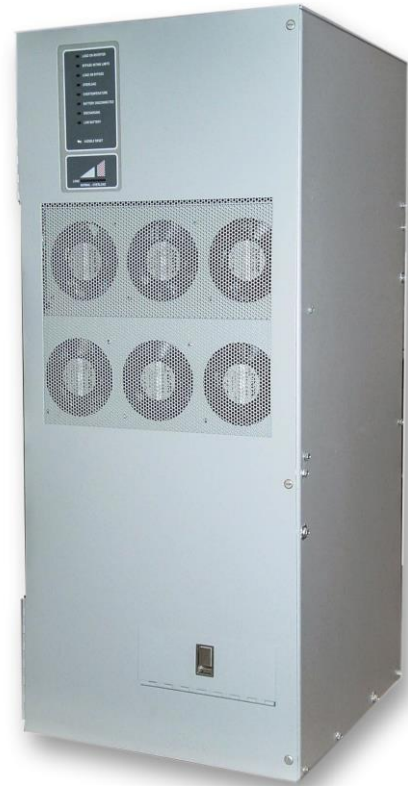




# Industrial 48VDC 10KVA Inverter

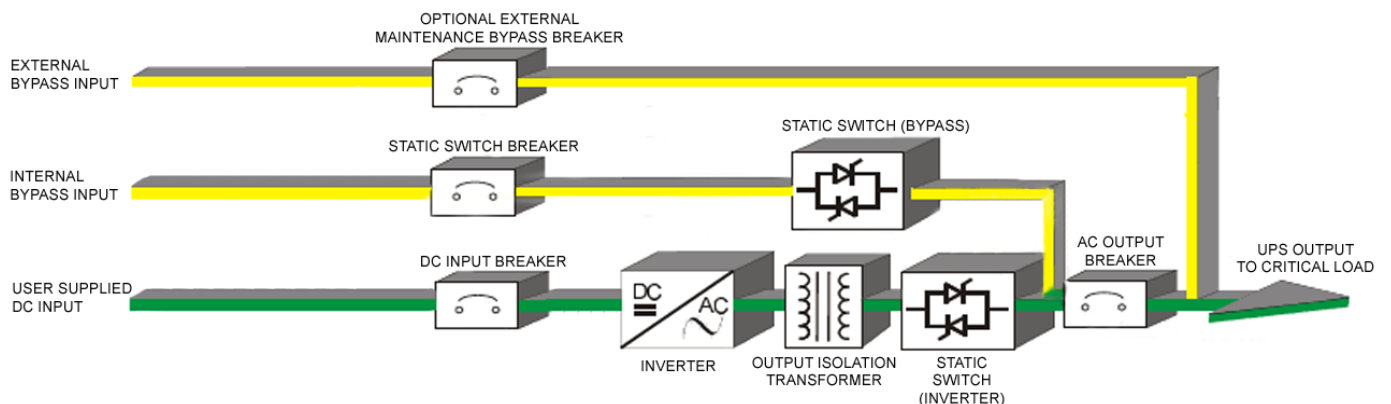
## Series 1000 DC to AC Inverter

- True On-line Technology for Maximum Power Protection
- Pure Sine Wave Output
- Transistor Power Block Technology
- 20-Year Design Life
- Automatic Solid State Static Transfer Switch
- Copper Wound Transformers
- Easy Access Front Door
- Input to Output Isolation
- Battery Noise Less than 32dBmC
- Low Audible Noise
- Short Circuit Protection
- Built to Meet UL1778, NEMA, NEC, ANSI and FCC Standards
- Mounts in Standard 19" or 23" Rack
- Handles 3:1 Crest Factor Loads
- DC Input Circuit Breaker
- User-Friendly Front Display Panel
- Redundant Variable Speed Cooling Fans
- Alarm Interface Contacts
- Light Gray Powder Coat Finish



### OPTIONS

- ⇒ Multiple Voltage Outputs Available
- ⇒ 50Hz/60Hz Models
- ⇒ Wrap-around Maintenance Bypass Switch
- ⇒ Floor Mount Kit
- ⇒ Digital Display for Output Voltage and Amps
- ⇒ Direct Inverter (No Static Switch)
- ⇒ "Form C" Alarm Interface Contacts
- ⇒ Customizable Designs for Unique Applications





# Industrial 48VDC 10KVA Inverter

| <b>Technical Specifications</b>   |  |
|-----------------------------------|--|
| <b>DC INPUT</b>                   |  |
| Nom. Voltage                      | 48VDC (40 to 60 VDC)   |
| Current                           | 230A @ Full Load   |
| Noise Feedback                    | Less than 32dBmC   |
| Protection (Circuit Breaker)      | 250A   |
| <b>AC OUTPUT</b>                  |  |
| Power Rating                      | 10KVA / 8KW  |
| Nominal Voltage                   | 120 VAC Standard, 100/127/200/208/220/230/240 Optional           |
| Frequency                         | 50 / 60Hz  |
| Frequency Stability               | ±0.1% Internal Crystal Controlled                                |
| Acceptable Bypass Synchronization | Standard 58.8 Hz to 61.2 Hz                                      |
| Regulation                        | ±2% over entire input voltage and load range                     |
| Waveform                          | Sinusoidal   |
| Crest Factor                      | 3:1  |
| Harmonic Distortion               | < 1% with linear load from .8 leading to .8 lagging power factor |
| Overload                          | 125% for 10 min, 150% for 1 min                                  |
| Protection Circuitry              | Circuit Breaker and Fusing                                       |
| <b>AC BYPASS INPUT</b>            |  |
| Voltage (V)                       | 120 VAC Standard, other voltages available as an option          |
| Frequency (Hz)                    | 50 / 60Hz (Bypass freq. must match output freq.)                 |
| <b>ENVIRONMENT</b>                |  |
| Operating Temperature             | 32°F to 122°F (0°C to 50°C)                                      |
| Ventilation                       | Forced Air (front to back)                                       |
| Heat Dissipation                  | 5,118 BTU / hr.  |
| Humidity                          | 0 – 95% non-condensing   |
| Audible Noise                     | < 55 dB(A) Scale @ 1 meter                                       |
| Operational Altitude              | 5,000 ft. (1,500m)   |
| <b>DIMENSIONS</b>                 |  |
| Height (inches)                   | 40   |
| Width (inches)                    | 17   |
| Depth (inches)                    | 18   |
| Weight (lbs)                      | 420  |
| <b>ENCLOSURE</b>                  |  |
| Color                             | ANSI 61 Gray   |
| Rating                            | NEMA1  |
| Cable Entry                       | Rear / Bottom  |

*Note: All data is subject to change without notice.*