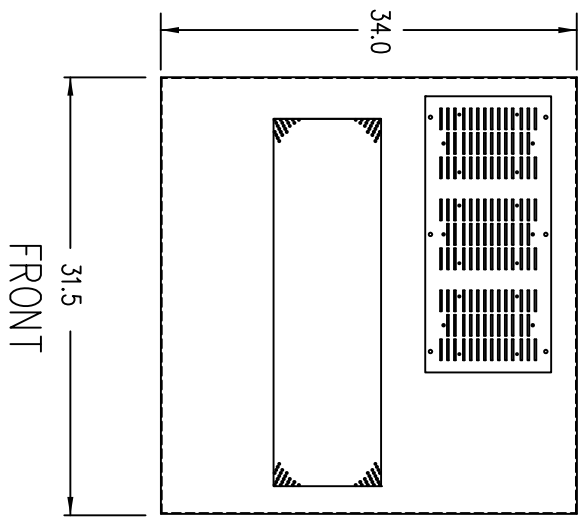
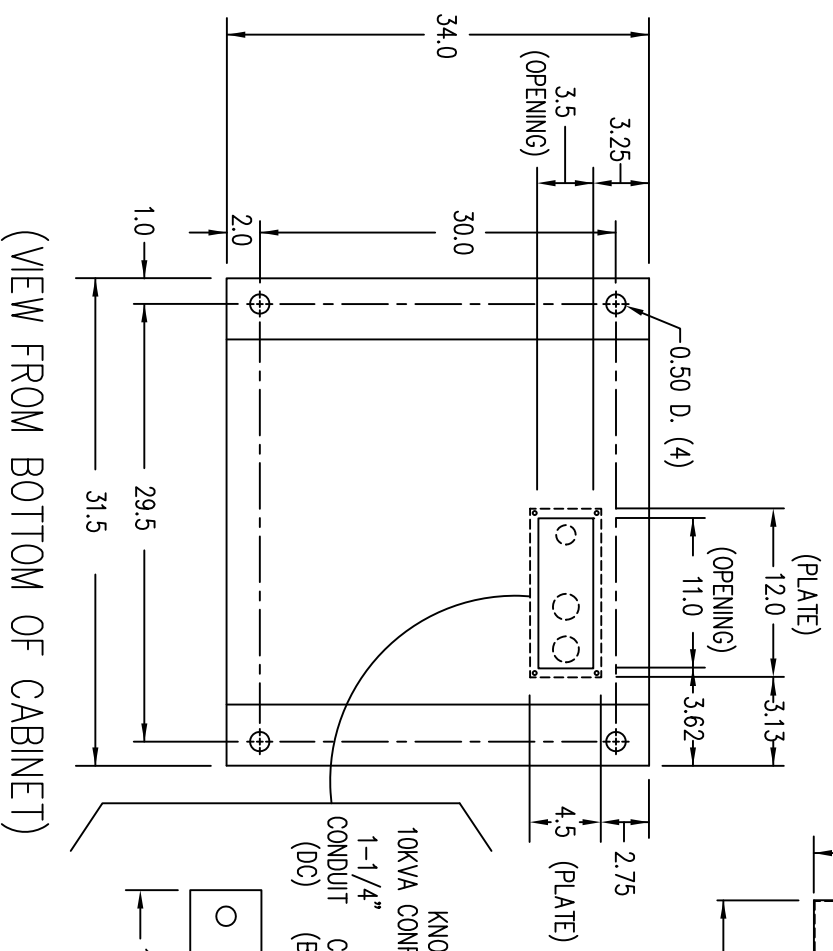
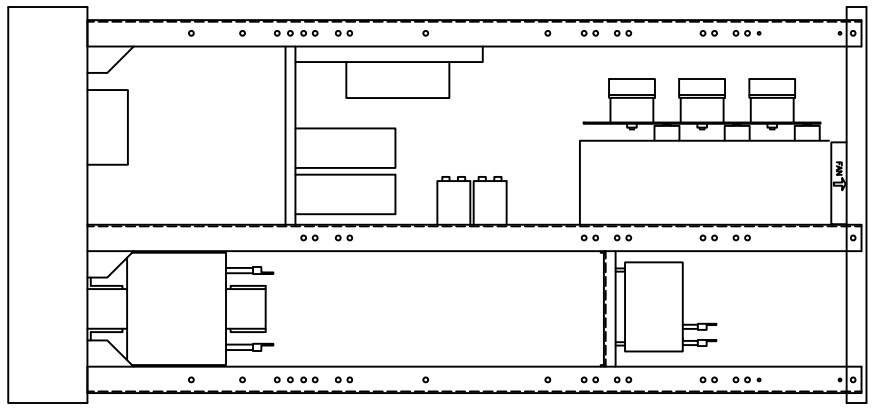


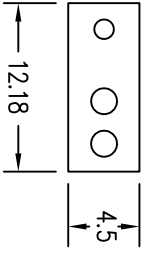
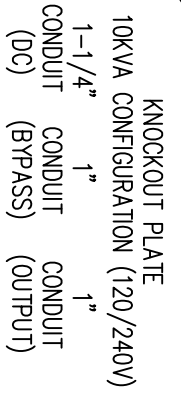
(VIEW FROM TOP OF CABINET)



RIGHT SIDE



(VIEW FROM BOTTOM OF CABINET)



TERMINATION CONFIGURATION (BOTTOM, FRONT)
TERMINAL BLOCK CAPACITY: 2/0 TO 14 GA.
GND. LUG CAPACITY: 1/0 TO 14 GA.

NOTE: ALL DIMENSIONS ARE IN INCHES UNLESS OTHERWISE SPECIFIED.

LTI Power Systems, Inc.

10KVA ASSEMBLY

TEL. (440) 327-5050

10800 Middle Ave. Bldg. B Elyria, Ohio 44035

SHEET 1 OF 1

LTI-ProUPS

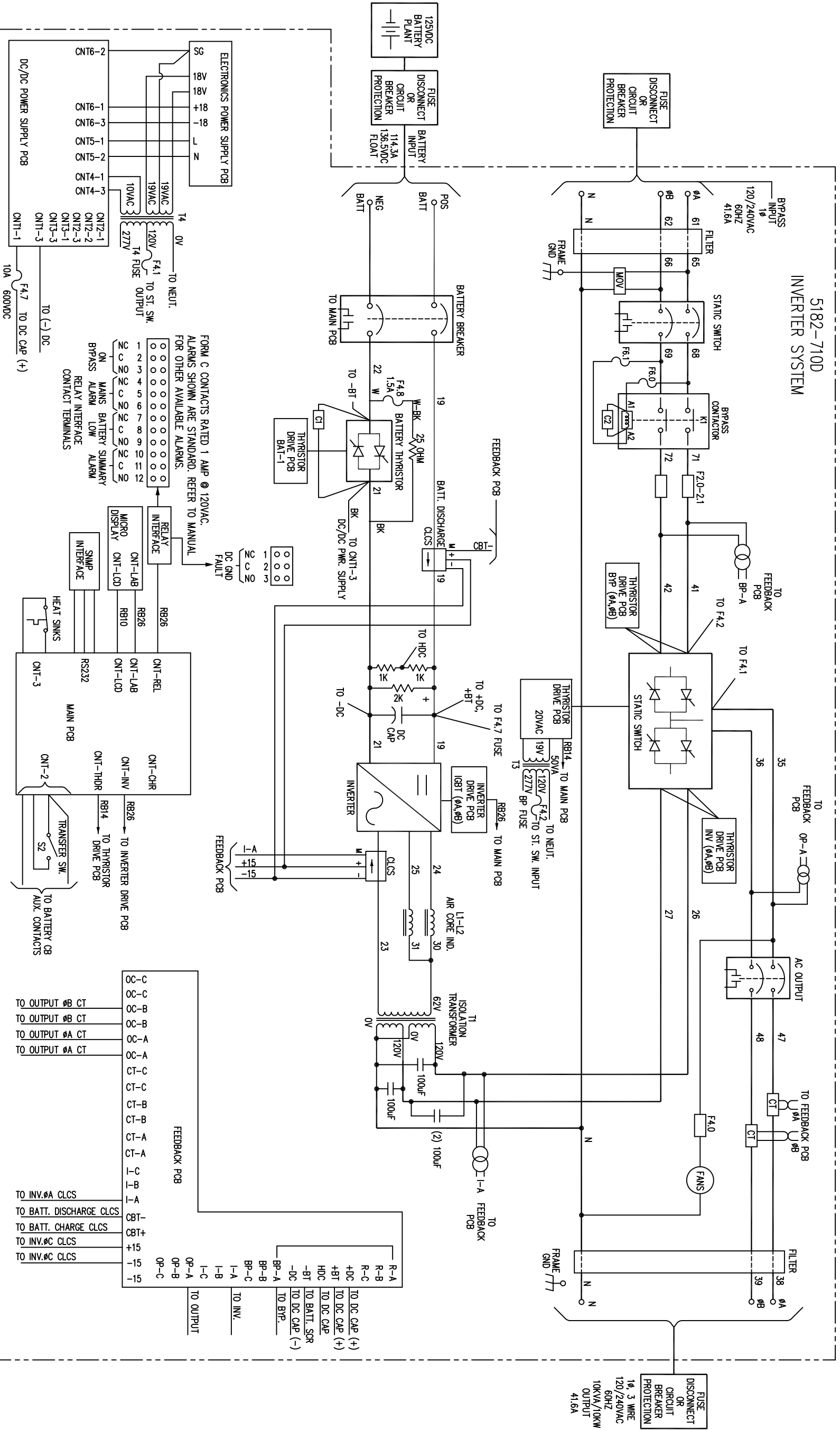
CAD DWG NAME: 10H24D BASE

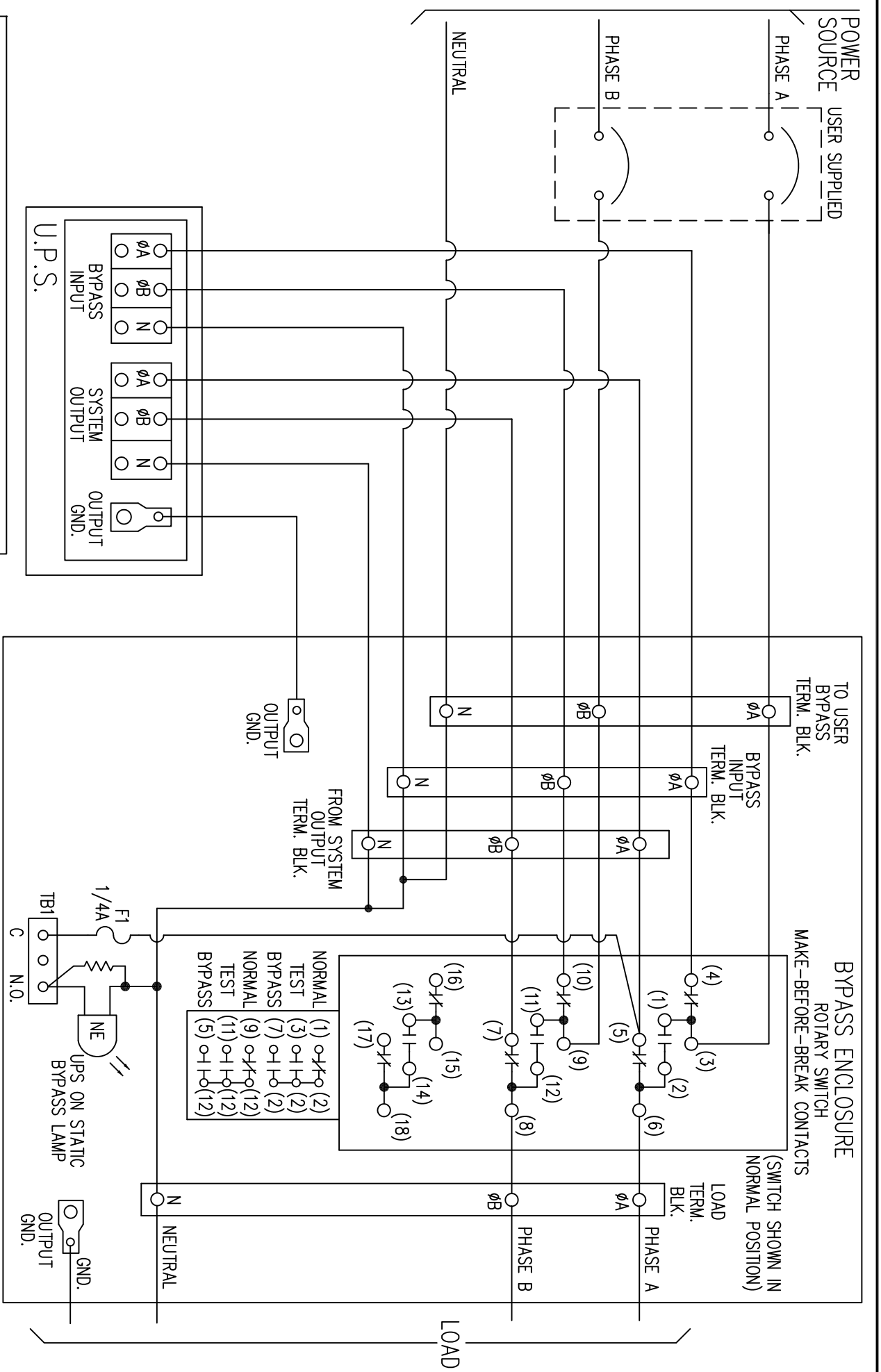
REV. 1

BYPASS INPUT/AC OUTPUT	NOMINAL CURRENT	CKT. BRKR. RATING	A.I.C. RATING	TERM. CAPACITY	TORQUE	RECM. SIZE	RECM. FUSING	RECM. GND. SIZE	RECM. CONDUIT
120/240V	41.6A	60A	25,000	14-2/0 AWG	50 IN./LBS	4 AWG	60A	10 AWG	1"
DC INPUT	MAX. CURRENT 114.3A NOMINAL CURRENT 100A	CKT. BRKR. RATING 125A	A.I.C. RATING 35,000	TERM. CAPACITY 14-2/0 AWG	TORQUE 50 IN./LBS	RECM. SIZE 4 AWG	RECM. FUSING 125A	RECM. GND. SIZE 6 AWG	RECM. CONDUIT 1-1/4"

- NOTES:
1. WIRE SIZES BASED ON 75°C COPPER CONDUCTORS OPERATING IN 40°C AMBIENT AND NEC TABLES 250-95 AND 310-16. INCREASE CONDUCTOR SIZE FOR LONG RUNS.
 2. CLOCKWISE PHASE ROTATION MUST BE OBSERVED FOR BYPASS INPUT.
 3. CLCS = CLOSED LOOP CURRENT SENSOR
 4. USE COPPER CONDUCTORS ONLY FOR ALL FIELD WIRING TERMINALS.
 5. UNLESS OTHERWISE SPECIFIED, RECOMMENDED FUSING AND WIRE SIZES ARE BASED ON NOMINAL CURRENTS.

5182-710D INVERTER SYSTEM





3 POSITION ROTARY SWITCH POWER CONTACTS

POSITION	1-2, 11-12	3-4, 9-10	5-6, 7-8
NORMAL	OPEN	CLOSED	CLOSED
TEST	CLOSED	CLOSED	OPEN
BYPASS	CLOSED	OPEN	OPEN

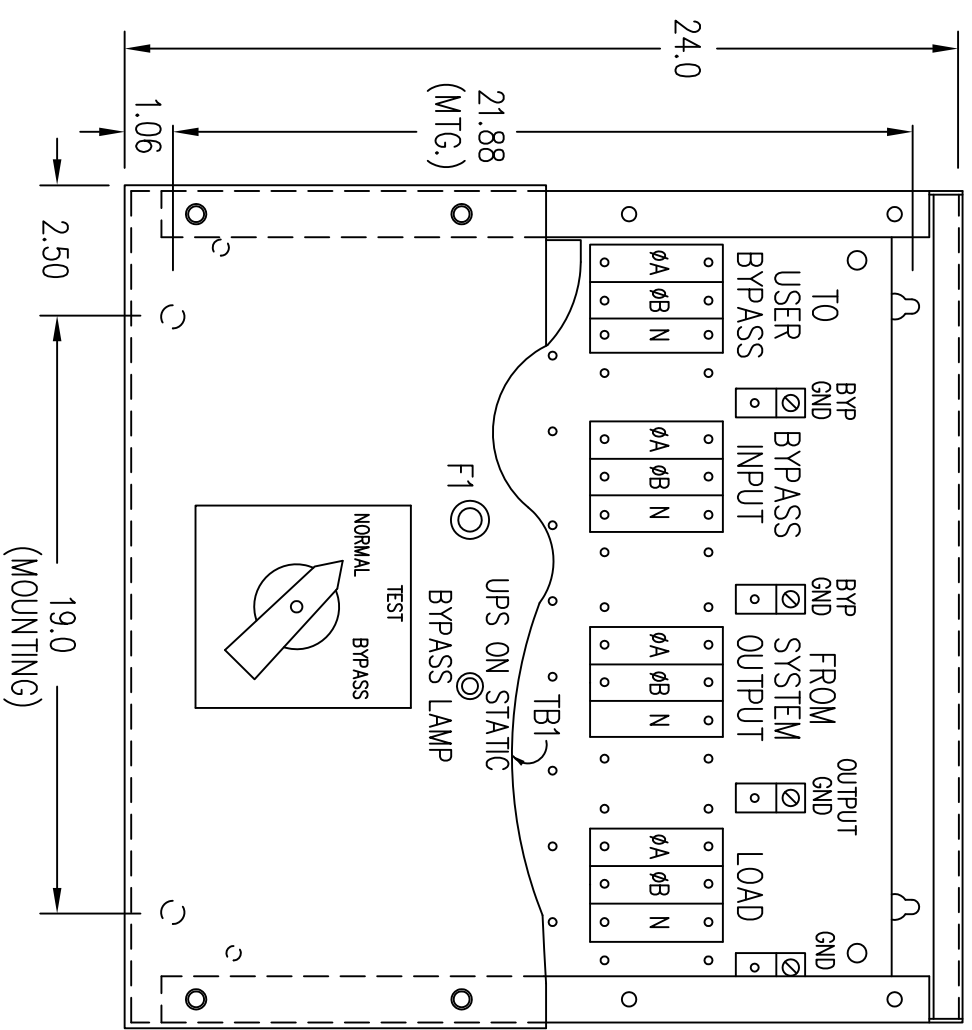
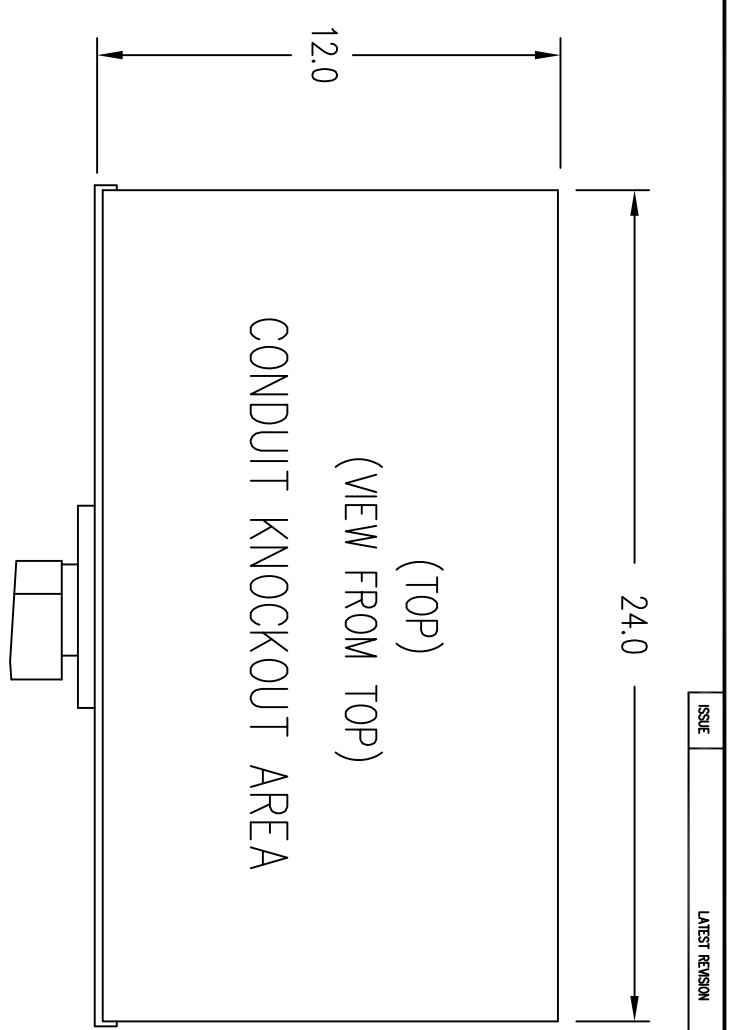
3 POSITION ROTARY SWITCH AUX. CONTACTS
(AUX. CONTACTS 4-8 AND 6-10 JUMPED)

POSITION	1-2	2-3	2-7	9-12	11-12	5-12
NORMAL	CLOSED	OPEN	OPEN	CLOSED	OPEN	OPEN
TEST	OPEN	CLOSED	OPEN	OPEN	CLOSED	OPEN
BYPASS	OPEN	OPEN	CLOSED	OPEN	OPEN	CLOSED

NOTE: TERMINAL CAPACITY: 2/0 AWG TO 14 AWG (TORQUE: 50 IN/LBS.)
GROUND LUG CAPACITY: 1/0 TO 14 AWG (TORQUE: 50 IN/LBS.)

NOTES:

- OBSERVE ALL PHASING WHEN CONNECTING EXTERNAL SWITCH CONTACTS.
- EXTERNAL ROTARY SWITCH ENCLOSURE: NEMA TYPE 1, 24" L x 24" W x 12" D.
- DO NOT OPERATE THE ROTARY SWITCH FROM "NORMAL" TO "TEST" OR FROM "TEST" TO "NORMAL" WITHOUT THE "UPS ON STATIC BYPASS" LAMP ON.
- NORMAL- THE UPS SUPPLYING THE LOAD.
TEST- THE HARD BYPASS SOURCE SUPPLYING THE LOAD
(BYPASS SOURCE STILL CONNECTED TO UPS BYPASS INPUT).
- BYPASS- THE HARD BYPASS SOURCE SUPPLYING THE LOAD
(BYPASS SOURCE NOT CONNECTED TO UPS BYPASS INPUT).
- REMOVE BLANK COVER PANEL TO ACCESS TERMINAL CONNECTIONS.



BYPASS ENCLOSURE
(FRONT-VIEW FROM FRONT)
(BLANK COVER PANEL REMOVED)
MOUNTING HOLES LOCATED ON BOTTOM SURFACE OF ENCLOSURE AND ARE DESIGNED FOR 5/16 HARDWARE.

DESIGN		DATE	100A SINGLE PHASE L-L OUTPUT	
DRAWN		DATE	EXTERNAL MAINTENANCE 3 POSITION BYPASS SWITCH	
CHKD		DATE	(NORMAL-TEST-BYPASS)	
APPD	DATE	DATE	IC4232-914	
REVISION	DATE	DATE	SHEET 1 OF 1	ISSUE 1