

Notes: Unless otherwise specified, dimensions are in inches. Dimensions within brackets [ ] are in millimeters.  
 Recommended clearance for serviceability is 36" [914] in the front and 6" [152] on the remaining sides.

TO REMOVE FRONT FILTER, REMOVE TOP SCREW FROM EACH SIDE BRACKET. ROTATE BRACKETS AWAY FROM FILTER, THEN SLIDE FILTER UP AND REPLACE AS NECESSARY.

**LTI Power Systems, Inc.**

ProUPS B800 ENCLOSURE  
20KVA INVERTER

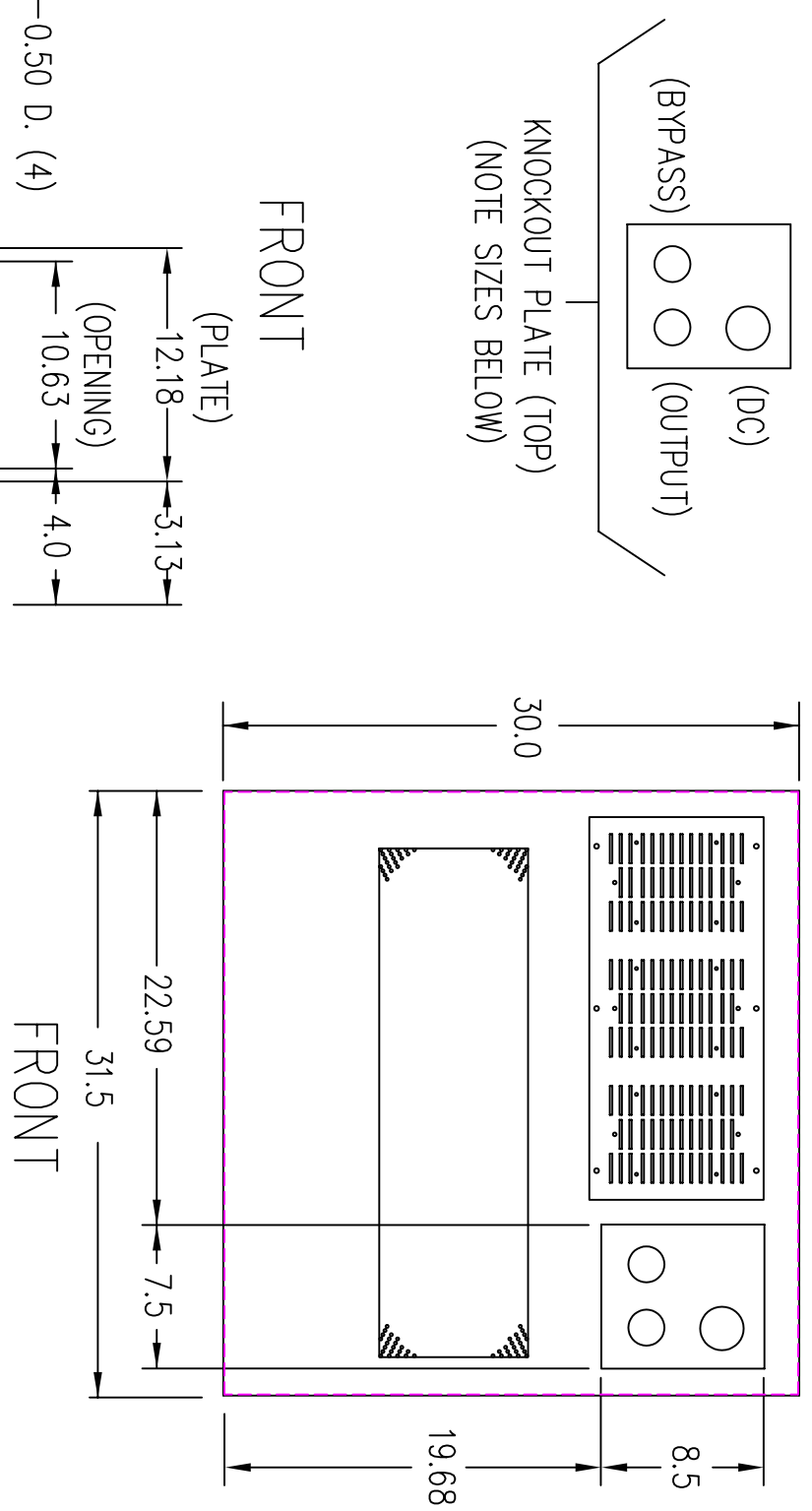
20KVA WEIGHT W/SKID: 1330 LBS. (599 kg)

LTI-ProUPS

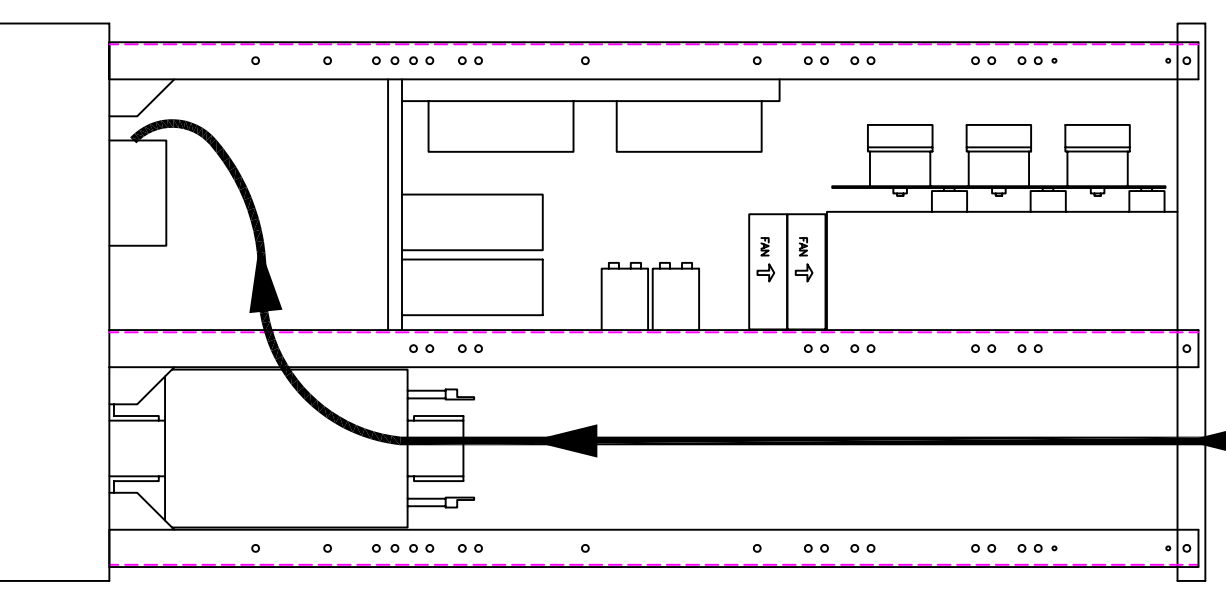
REV.  
1



(VIEW FROM TOP OF CABINET)



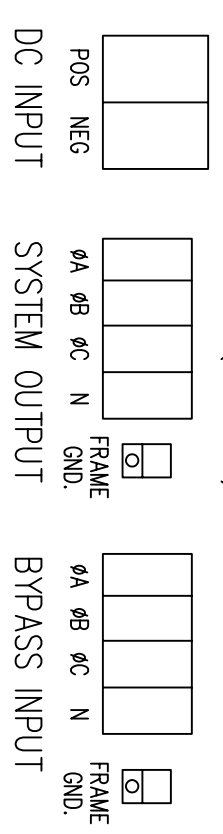
RIGHT SIDE



FOR TOP CABLE ENTRY, ROUTE WIRES DOWN RIGHT SIDE THROUGH OPEN AREA OF UPRIGHT CENTER PANEL TO TERMINALS LOCATED ON BASE PANEL.

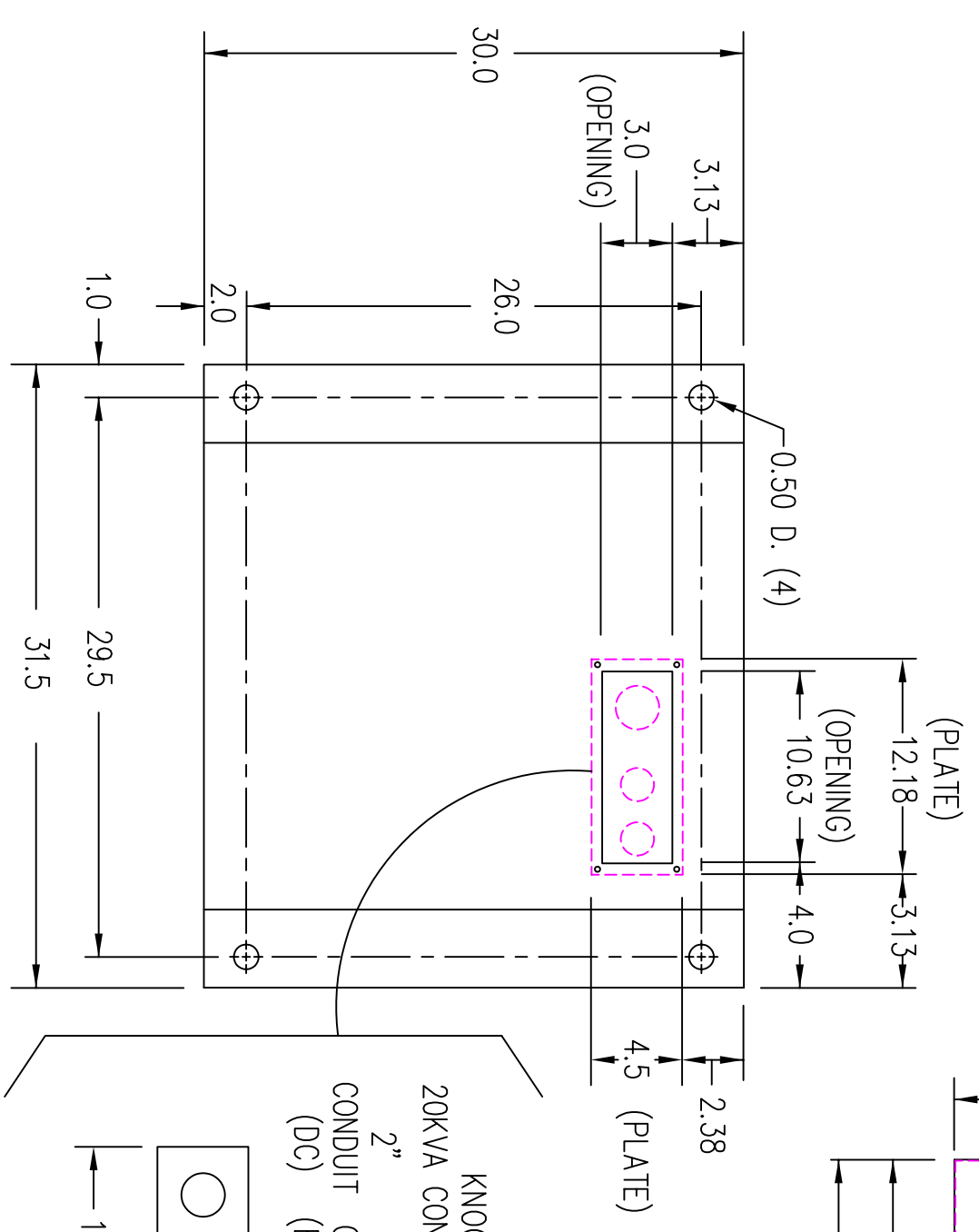
TERMINATION CONFIGURATION (BOTTOM, FRONT)

TERMINAL BLOCK CAPACITY (BYP. INPUT/AC OUTPUT): 2/0 TO 14 GA.  
 TERMINAL BLOCK CAPACITY (DC INPUT): 500 MCM TO 4 GA.



NOTE: ALL DIMENSIONS ARE IN INCHES UNLESS OTHERWISE SPECIFIED.

(VIEW FROM BOTTOM OF CABINET)



FRONT

FRONT

**LTI Power Systems, Inc.**

TEL. (440) 327-5050 10800 Middle Ave. Bldg. B Elyria, Ohio 44035

20KVA INVERTER ASSEMBLY

SHEET 1 OF 1

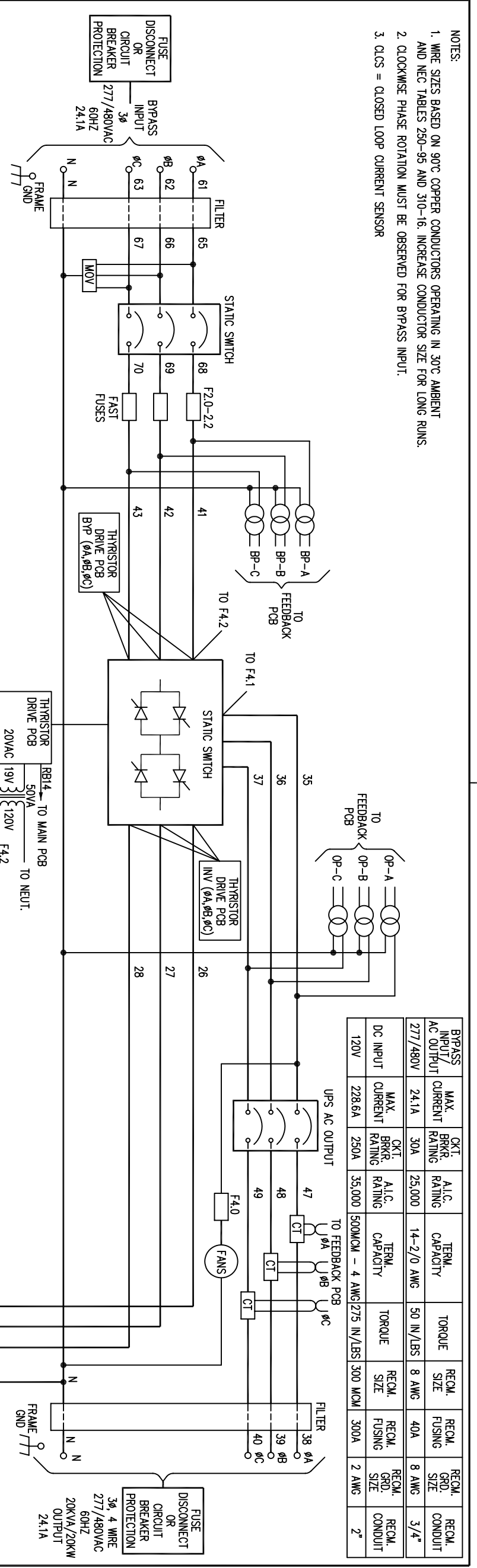
LTI-ProUPS

CAD DWG NAME: 20H48F\_BASE

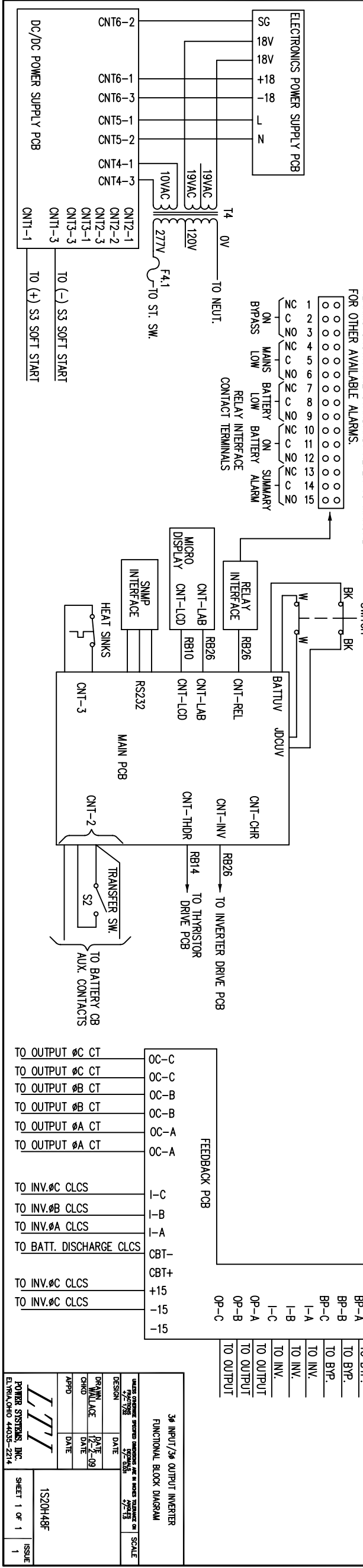
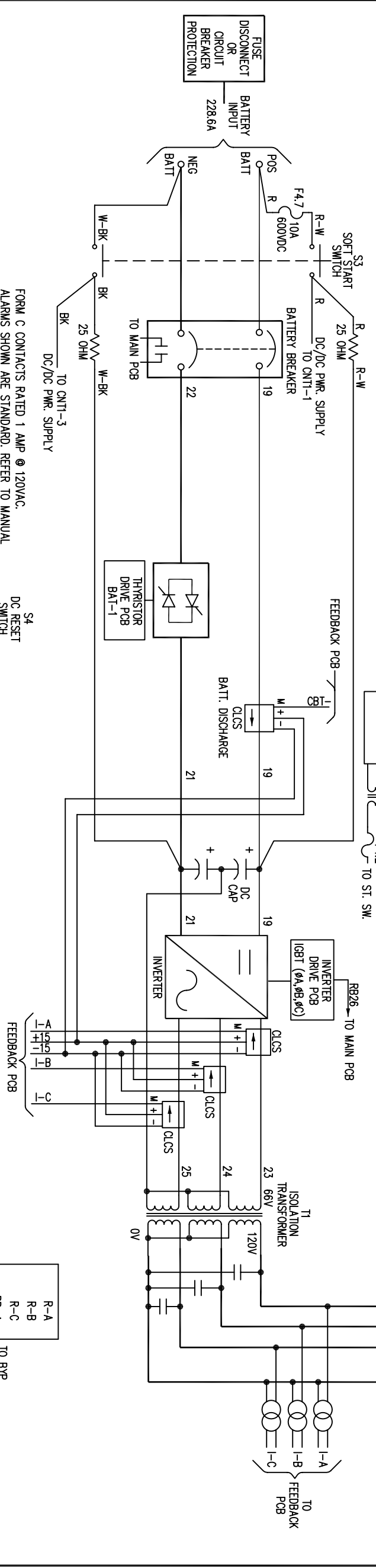
REV.

1

- NOTES:
1. WIRE SIZES BASED ON 90°C COPPER CONDUCTORS OPERATING IN 30°C AMBIENT AND NEC TABLES 250-95 AND 310-16. INCREASE CONDUCTOR SIZE FOR LONG RUNS.
  2. CLOCKWISE PHASE ROTATION MUST BE OBSERVED FOR BYPASS INPUT.
  3. CLCS = CLOSED LOOP CURRENT SENSOR



BYPASS INPUT/AC OUTPUT	MAX. CURRENT	BRKR. RATING	A.I.C. RATING	TERM. CAPACITY	TORQUE	RECM. SIZE	RECM. FUSING	RECM. GND. SIZE	RECM. CONDUIT
277/480V	24.1A	30A	25,000	14-2/0 AWG	50 IN/LBS	8 AWG	40A	8 AWG	3/4"
DC INPUT	MAX. CURRENT	BRKR. RATING	A.I.C. RATING	TERM. CAPACITY	TORQUE <td>RECM. SIZE</td> <td>RECM. FUSING</td> <td>RECM. GND. SIZE</td> <td>RECM. CONDUIT</td>	RECM. SIZE	RECM. FUSING	RECM. GND. SIZE	RECM. CONDUIT
120V	228.6A	250A	35,000	500MCM - 4 AWG/275 IN/LBS/300 MCM	300A	2 AWG	2"		



FORM C CONTACTS RATED 1 AMP @ 120VAC. ALARMS SHOWN ARE STANDARD. REFER TO MANUAL FOR OTHER AVAILABLE ALARMS.

ON MAINS BATTERY ON SUMMARY RELAY INTERFACE CONTACT TERMINALS

ON BATTERY LOW BATTERY ALARM RELAY INTERFACE CONTACT TERMINALS

3Φ INPUT/3Φ OUTPUT INVERTER  
FUNCTIONAL BLOCK DIAGRAM

DESIGN	DATE	SCALE
27-178	27-178	27-178

POWER SYSTEMS, INC.  
ELMWOOD 44035-2714

1520H48F  
SHEET 1 OF 1  
ISSUE 1