

Notes: Unless otherwise specified, dimensions are in inches. Dimensions within brackets [] are in millimeters.
Recommended clearance for serviceability is 36" [914] in the front and 6" [152] on the remaining sides.

LTI Power Systems, Inc.

TEL. (440) 327-5050

10800 Middle Ave. Elyria, Ohio 44035

ProUPS B1250 ENCLOSURE
30KVA

30KVA WEIGHT W/SKID: 1550 LBS. (698 kg)

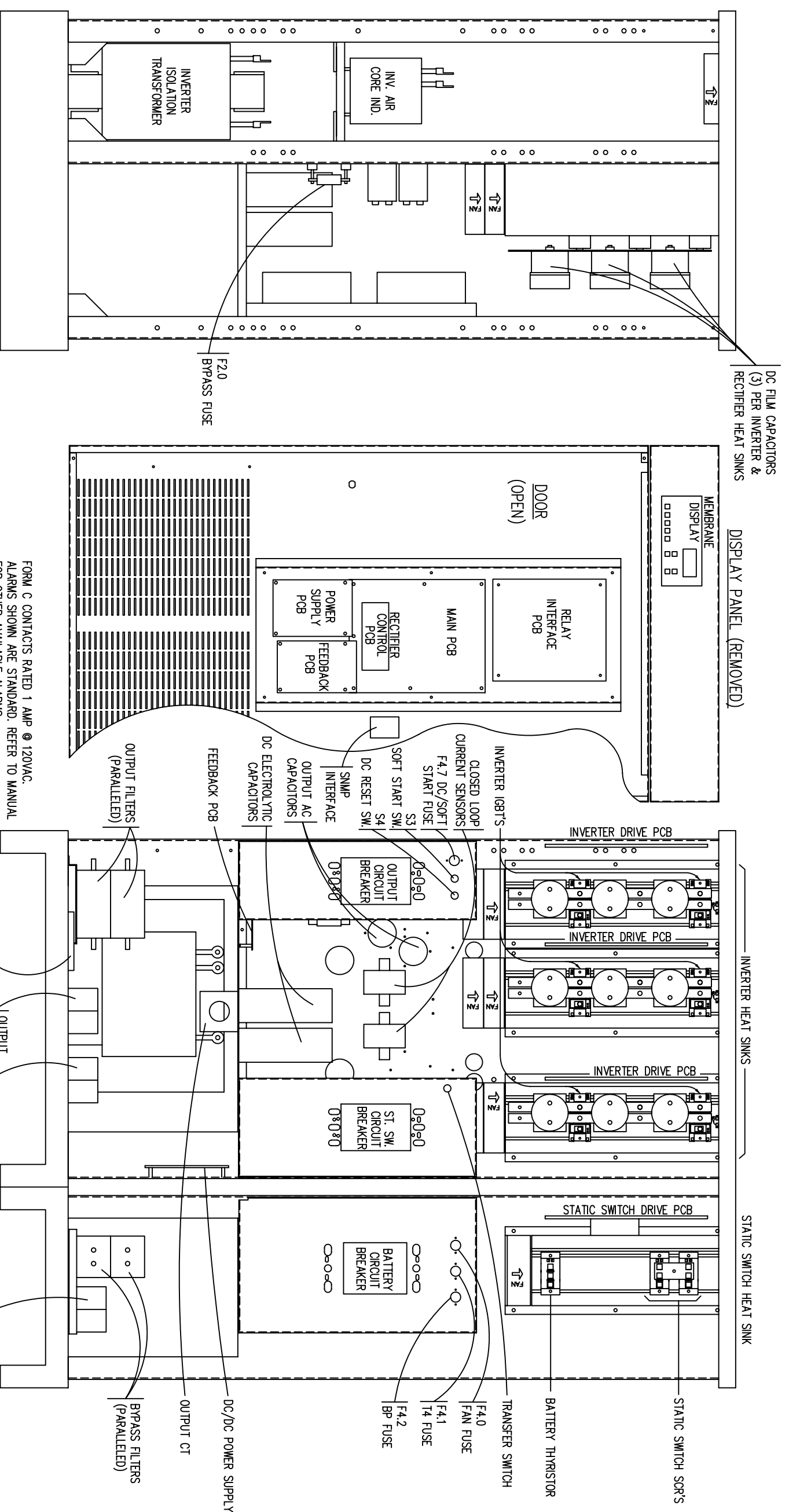
LTI-ProUPS

CAD DWG NAME: B1250CAB_30KVA_INV

REV.

1

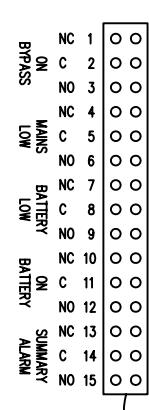
REV.	CHG. BY	DATE	DESCRIPTION



LEFT SIDE

FRONT

FORM C CONTACTS RATED 1 AMP @ 120VAC.
ALARMS SHOWN ARE STANDARD. REFER TO MANUAL
FOR OTHER AVAILABLE ALARMS.



COMPONENT LOCATION DRAWING

FOR
30KVA, 120V OUTPUT
125VDC INVERTER SYSTEM

UNLESS OTHERWISE SPECIFIED DIMENSIONS ARE IN MILLIS TOLERANCE ON SCALE
FRACTIONS +/- 1/32 DECIMALS +/- 0.031 ANGLES +/- 1.5°

DESIGN	DATE
DRAWN	DATE
WALLACE	10-21-08
CHKD	DATE
APPD	DATE

LTI
POWER SYSTEMS, INC.
ELYRIA, OHIO 44035-7822

30H12F

SHEET 1 OF 1

ISSUE 1

1 2 3 4 5 6 7 8 9

H

G

F

E

D

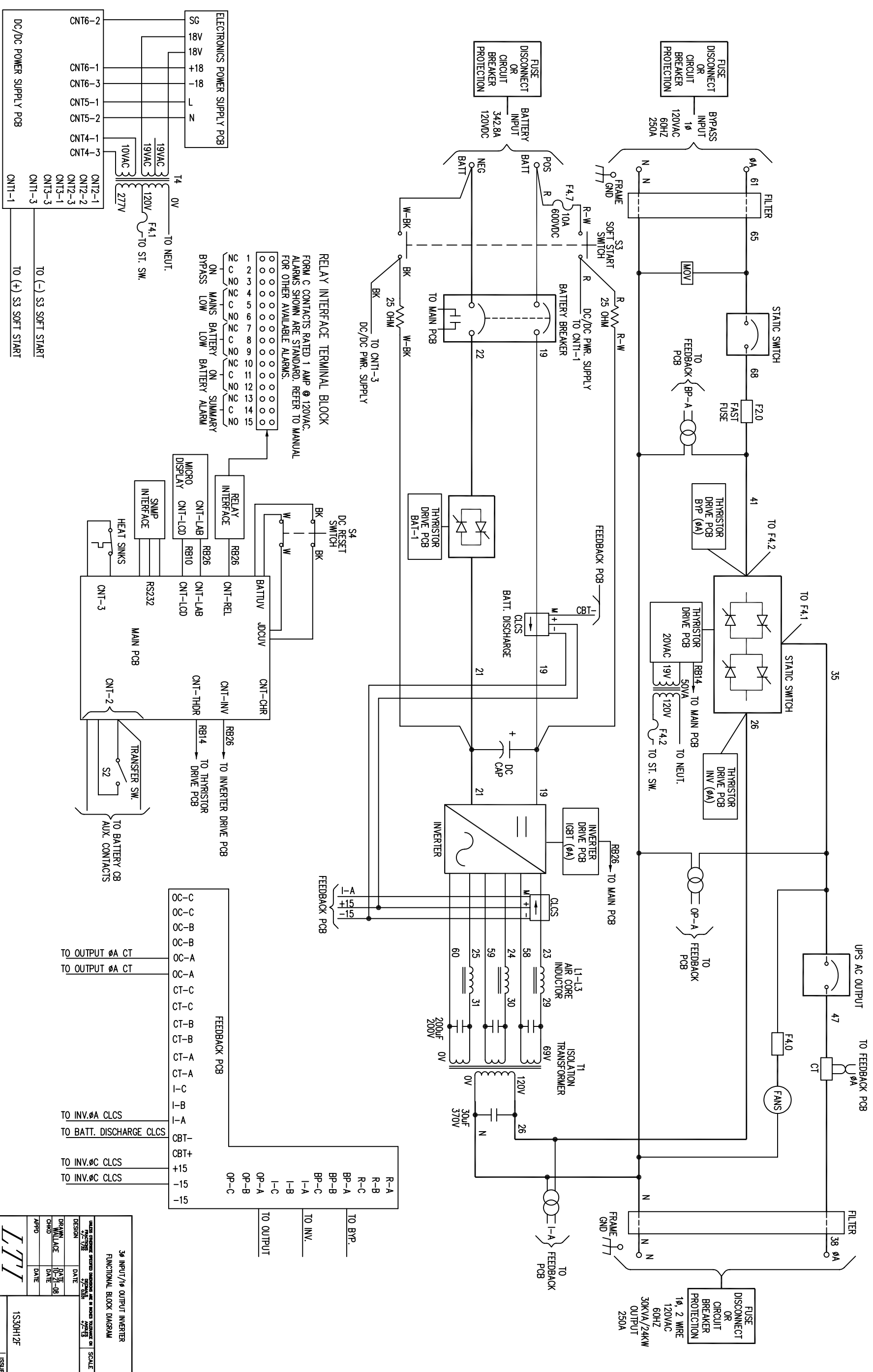
C

B

A

- NOTES:
1. WIRE SIZES BASED ON 90°C COPPER CONDUCTORS OPERATING IN 30°C AMBIENT AND NEC TABLES 250-95 AND 310-16. INCREASE CONDUCTOR SIZE FOR LONG RUNS.
 2. CLOCKWISE PHASE ROTATION MUST BE OBSERVED FOR BYPASS INPUT.
 3. CLCS = CLOSED LOOP CURRENT SENSOR

BYPASS INPUT/AC OUTPUT	MAX. CURRENT	MAX. BRKR. RATING	OKT. RATING	A.I.C. RATING	TERM. CAPACITY	TORQUE	RECM. SIZE	RECM. FUSING	RECM. GRD. SIZE	RECM. CONDUIT
120V	250A	320A	25,000	500 MCM - 4 GA.	275 IN/LBS	350 MCM	350A	2 AWG	2"	
DC INPUT	342.8A	400A	35,000	(2)500MCM - (2)4 AWG	275 IN/LBS(2)	4/0 AWG	450A	1/0 AWG	2"	



3Φ INPUT/1Φ OUTPUT INVERTER
FUNCTIONAL BLOCK DIAGRAM

DESIGN	DATE	SCALE
12-17-08	12-17-08	1:1
DRWN	DATE	
12-17-08	12-17-08	
CHKD	DATE	
APPD	DATE	

POWER SYSTEMS, INC.
ELECTRONIC 44035-227A

ISSUE 1