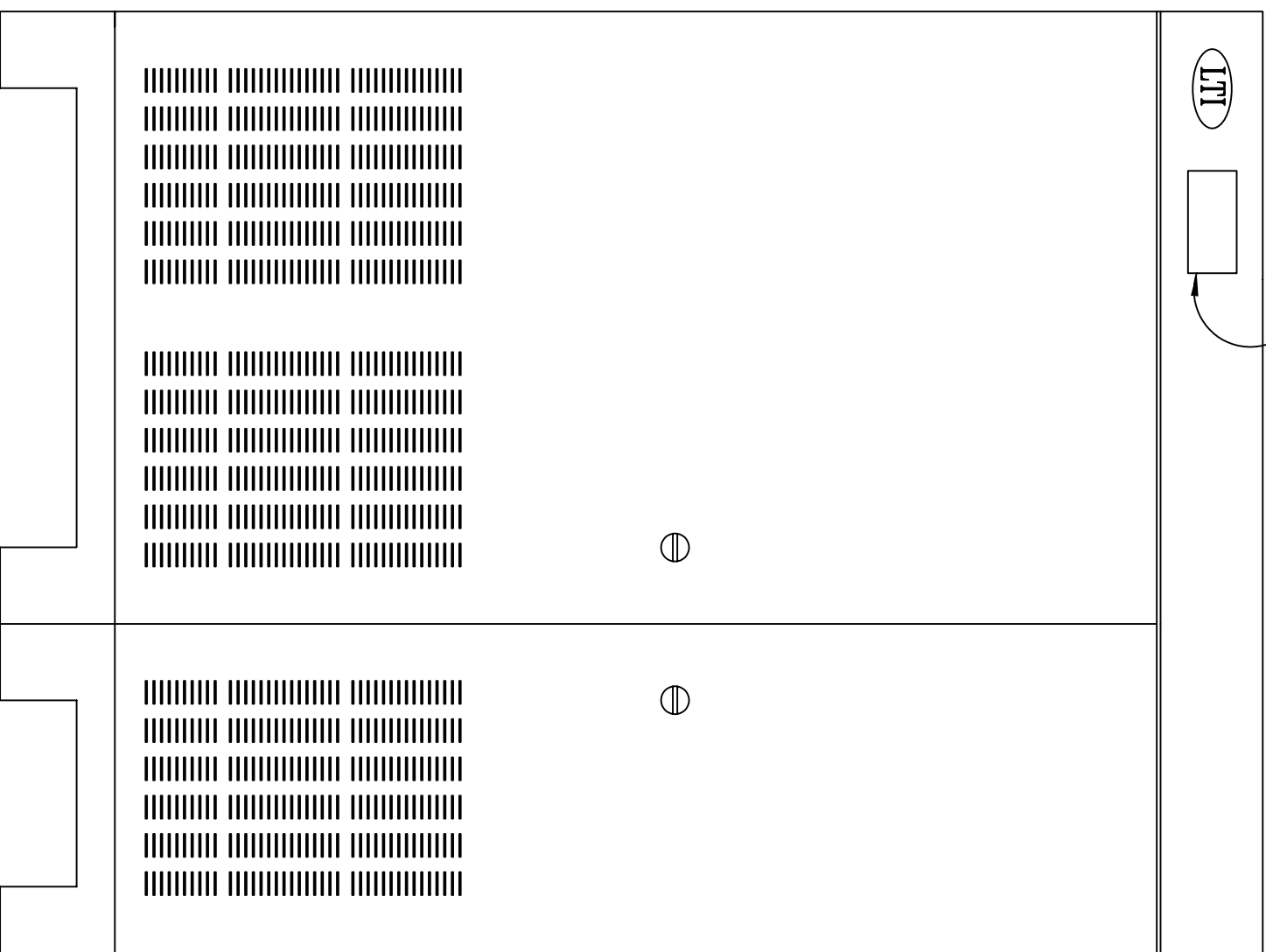


STANDARD DISPLAY



LEFT



FRONT



RIGHT



Notes: Unless otherwise specified, dimensions are in inches. Dimensions within brackets [ ] are in millimeters.  
 Recommended clearance for serviceability is 36" [914] in the front and 6" [152] on the remaining sides.

**LTI Power Systems, Inc.**

TEL. (440) 327-5050

10800 Middle Ave. Elyria, Ohio 44035

ProUPS B1250 ENCLOSURE  
 30KVA

30KVA WEIGHT W/SKID: 1000 LBS. (771 kg)

LTI-ProUPS

CAD DWG NAME: B1250CAB\_30KVA\_INV

REV.

1

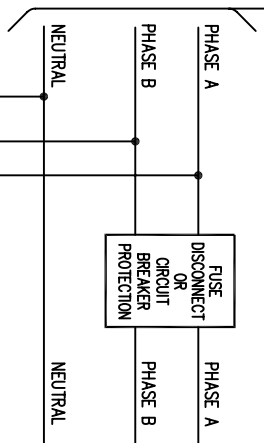




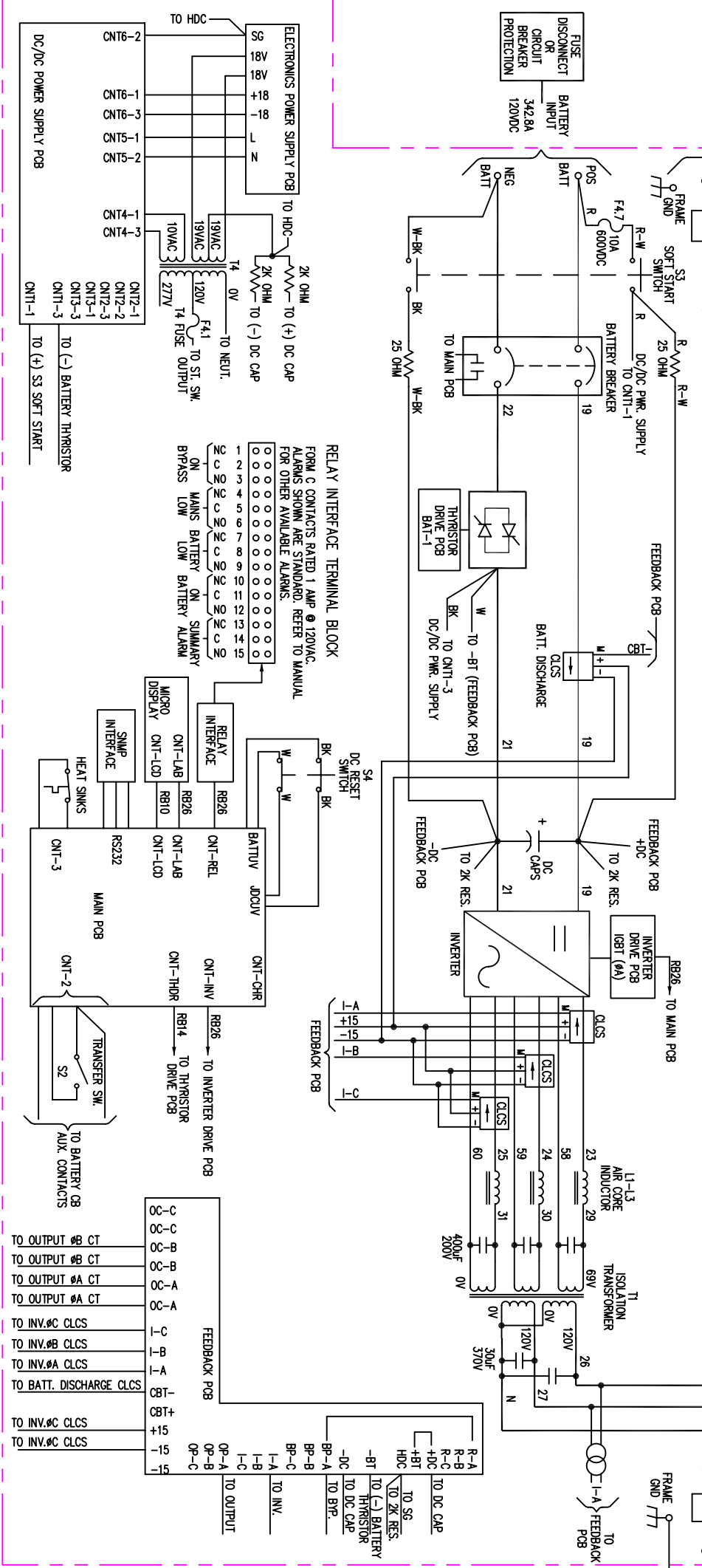
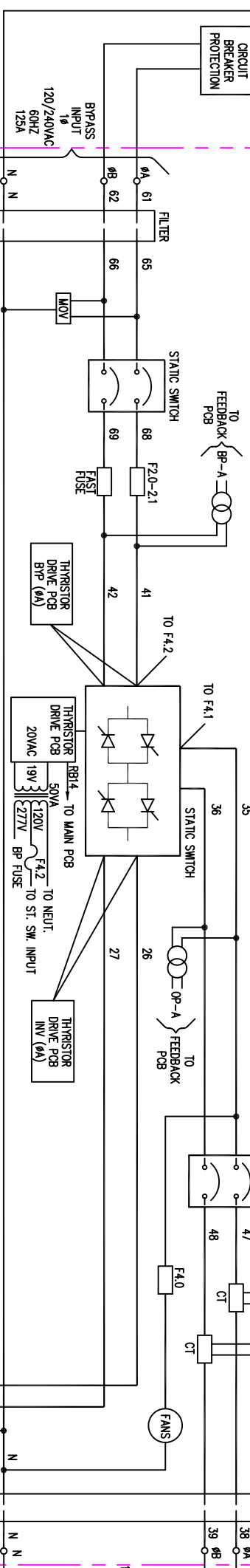
- NOTES:
1. WIRE SIZES BASED ON 90°C COPPER CONDUCTORS OPERATING IN 30°C AMBIENT AND NEC TABLES 250-93 AND 310-16. INCREASE CONDUCTOR SIZE FOR LONG RUNS.
  2. CLOCKWISE PHASE ROTATION MUST BE OBSERVED FOR BYPASS INPUT.
  3. CLCS = CLOSED LOOP CURRENT SENSOR

BYPASS INPUT/AC OUTPUT	MAX. CURRENT	ERR. RATING	A.I.C. RATING	TERMI. CAPACITY	TORQUE	REQM. FUSING SIZE	REQM. GRD. SIZE	REQM. CONDUIT
120/240V	125A	150A	25,000	350 MCM - 6 GA.	275 IN./LBS.	2/0 AWG	4 AWG	1-1/2"
DC INPUT	342.8A	400A	35,000	(2)500MCM - (2)4 AWG	275 IN./LBS.(2)	4/0 AWG	450A	1/0 AWG 2"

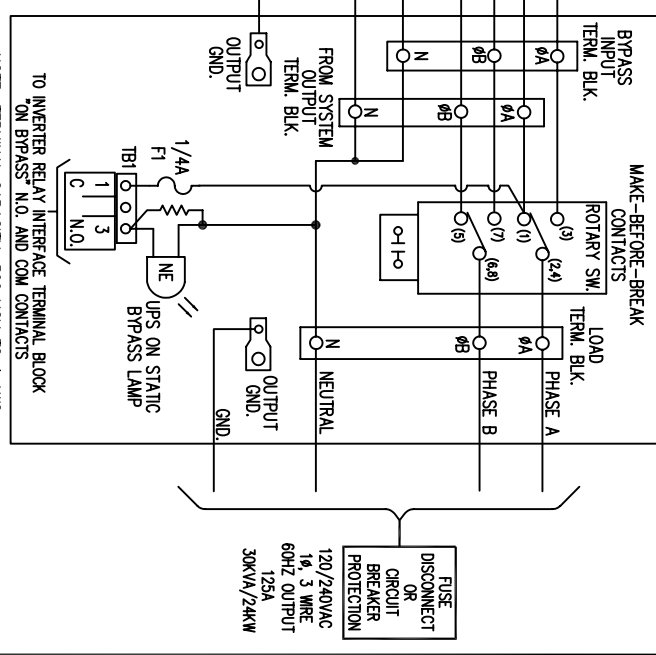
POWER SOURCE



5182-730 INVERTER

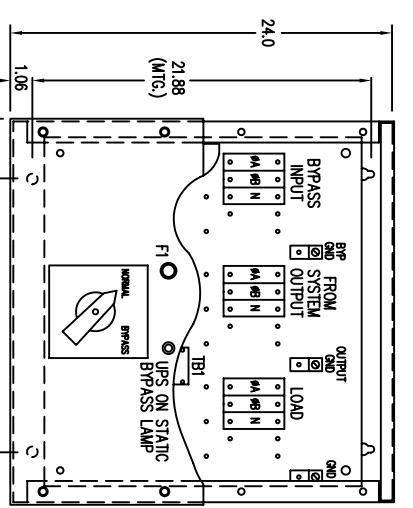
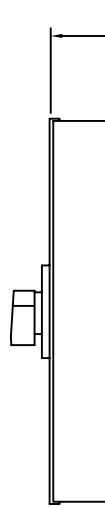


BYPASS ENCLOSURE



NOTE: TERMINAL CAPACITY: 500 MCM TO 4 AWG  
 TORQUE: 275 IN./LBS.  
 GROUND LUG CAPACITY: 1/0 TO 14 AWG  
 TORQUE: 50 IN./LBS.

CONDUIT KNOCKOUT AREA



3Ø INPUT/PH OUTPUT INVERTER FUNCTIONAL BLOCK DIAGRAM

DATE: 2/15/11  
 DESIGN: PJE-11  
 DRAWN: LVE  
 APPRO: LVE

POWER SYSTEMS, INC.  
 1530H/24E\_101229  
 SHEET 1 OF 1